

## Rail-mounted smart temperature transmitters type LI-24L and LI-24/Ex



LI-24L

LI-24/Ex

- ✓ Galvanic insulation (In, out)
- ✓ Programmable sensor type
- ✓ Programmable measuring range
- ✓ Thermoresistance line compensation
- ✓ Compensation of thermocouple cold junction
- ✓ Output signal 4...20mA + Hart protocol
- ✓ Ambient temperature from -25 to +75 °C
- ✓ Rail mounting system.
- ✓ Autodiagnostic system
- ✓ Hart protocol
- ✓ ATEX certificate (LI-24/Ex) II 1G Ex ia IIC T4/T5 Ga  
I M1 Ex ia I Ma



### Technical data

Input signal	K, J, S, B, N, T, R, E voltage Pt10, Pt50, Pt100, Pt200, Pt500, Pt1000, Ni100, Cu100, resistance
Limit process	- 10mV < E < 100mV or -100mV < E < 1000mV 0Ω < R < 400Ω or 0Ω < R < 2000Ω
Min. measuring range	10mV or 10Ω
Output signal	4...20mA + HART
Power supply	LI-24L: 8,5...50V DC LI-24/Ex 14...30V DC
Max. Wires resistance	500Ω
Alarm signal	21,5mA or 3,75 mA or setting by user
Sensor current	0,42mA
Accuracy	± 0,1%
Time constant	0,3s - 1,2s
Additional electronic damping	0...30s
Ambient temperature	-25...+75°C
Dimensions (WxHD)	LI-24L: 12,5mmx99mmx114,5mm LI-24/Ex: 27,5mmx80mmx106,7mm

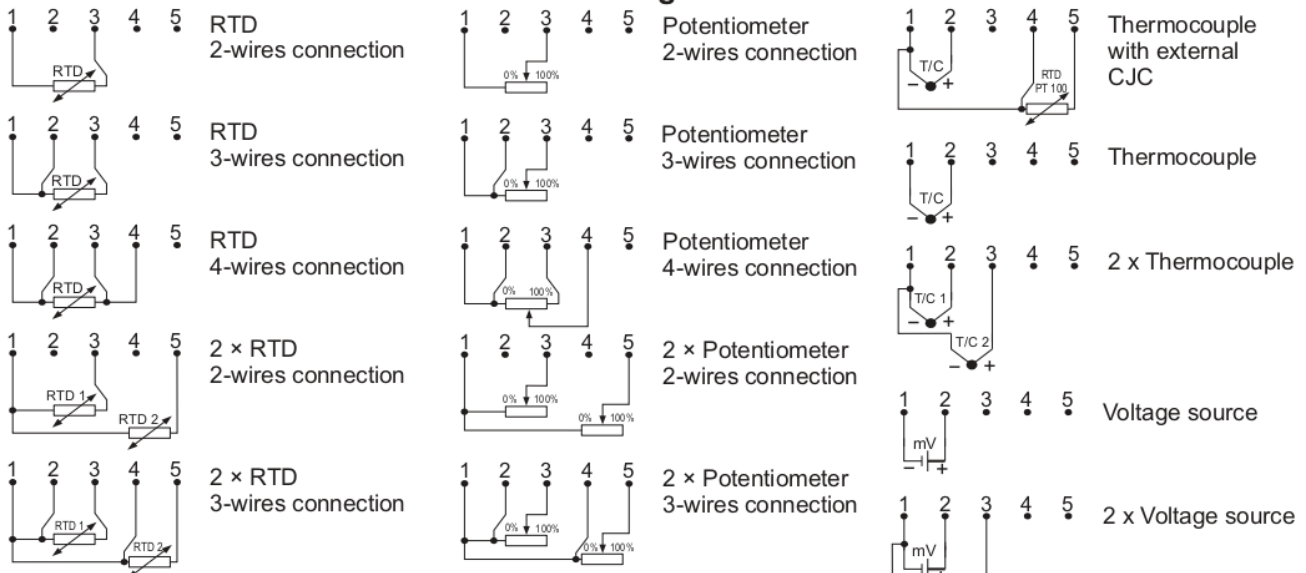
### Application and function

The temperature transmitter LI-24L and LI-24/Ex are applicable to converting resistance of temperature or voltage of thermocouple sensor to standard current signal 4-20mA. The transmitters have two separate measuring channels enabling measurement of temperature difference, average, average with redundancy, max or min temperature. Transmitter has compensation of ambient temperature influence and compensation of thermocouple cold junction using internal/external (Pt100) sensor or constant temperature.

Most of parameters such as: sensor type, measuring range, current alarm signal when electric circuit is broken, output characteristic correction, user characteristic (60 points) are programmed using PC with HART/USB converter and Report 2 configuration software.

For request Aplisens can set temperature transmitter parameters like measuring range, type of sensor. Their values are printed on label. Transmitter for rail mounting (TS-35).

### Electrical diagrams



LI-24L / / / / /

LI-24/ Ex / / / / /

Version: SIL2 or none  
Sensor type  
Measuring range  
Alarm signal

Sensor type  
Measuring range  
Alarm signal