

RAYNGER® ST™ 20 PRO

THE PROFESSIONAL'S CHOICE FOR VALUE AND PRECISION

Raytek's ST20 Infrared Non-Contact Thermometers offer accurate readings in a compact and reliable design. The ST20 Pro has a temperature range of -25 to 999°F (-32 to 535°C), a 500 msec reading response time and a weight of 11 ounces. This thermometer is safe to use as it requires no contact with the surface measured so long as it is within the thermometer's range (D:S=12:1).

With the ST 20's extra-bright single-point laser sighting, MAX temperature displays and rugged rubber over molding, it can prevent downtime by permitting preventative and predictive maintenance by simply pointing, shooting and reading temperature measurements. This thermometer is perfect for automotive and diesel applications, facility maintenance, fire safety, marine maintenance, electrical and industrial, asphalt work and HVAC systems; and these are just a few of the applications in which the ST20 can be utilized.

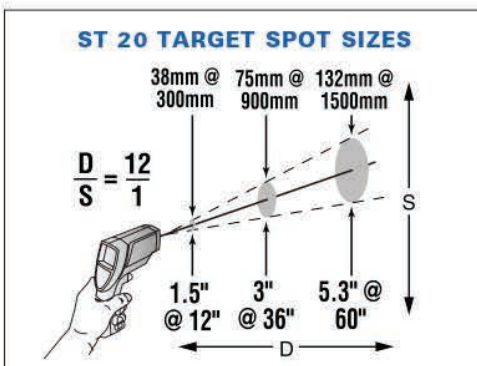


- **Wide Temperature Range**
- **Low Cost**
- **Max Temperature Display**
- **Tripod Mountable**
- **Applications**

Automotive and Diesel
HVAC/R Systems
Electrical and Industrial
Facility Maintenance
Food Safety
Asphalt Work
Fire Safety
Marine Maintenance

- **ST20 Pro with laser**

-25 to 750°F (-32 to 400°C); °F/°C, backlight



RAYNGER® ST™ SERIES

SPECIFICATIONS

ACCURACY	±1% of reading or ±2°F (±1°C), whichever is greater, at 73°F (23°C) ambient temperature
REPEATABILITY	±0.5% of reading or ±2°F (±1°C), whichever is greater
RESPONSE TIME	(95%) 500 mSec
AMBIENT OPERATING RANGE	32 to 122°F (0 to 50°C)
POWER	9V Alkaline or NiCad battery
DIMENSIONS	8 x 6 x 2 in. (200 x 160 x 55 mm)
WEIGHT	11 oz. (320g)
OPTIONS/ACCESSORIES	Hard Case and Wrist Strap (standard) Nylon Holster with Belt Clip NIST/DKD Certification Contact Probe (ST60/80)

	ST20	ST60	ST80
TEMPERATURE RANGE	-25 to 999°F (-32 to 535°C)	-25 to 1100°F (-32 to 600°C)	-25 to 1400°F (-32 to 760°C)
DISPLAY RESOLUTION	0.5°F (0.2°C)	0.1°F/C	0.1°F/C
MAX, MIN, DIF AND AVG TEMPERATURE	No	Yes	Yes
RECALL LAST READING	No	Yes	Yes
DISPLAY HOLD	Yes	Yes	Yes
HIGH AND LOW AUDIBLE AND VISIBLE ALARMS	No	Yes	Yes
LCD BACKLIGHT	Yes	Yes	Yes
LASER (CLASS II)*	Yes	Yes	Yes
EMISSIVITY	Pre-set 0.95	0.1 to 1.0 digitally adjustable	0.1 to 1.0 digitally adjustable
CONTACT PROBE INPUT	No	Yes	Yes
DISTANCE TO SPOT RATIO	12:1	30:1	50:1



RAYNGER ST ORDERING INFORMATION

		List Price
RAYST20XBUS	Raytek's ST20 Pro infrared non-contact thermometer	\$ 189.00
RAYST20XBCRUS	Raytek's ST20 Pro infrared non-contact thermometer with NIST certification	264.00
RAYST60XBUS	Raytek's ST60 Pro Plus infrared non-contact thermometer	349.00
RAYST60XBCRUS	Raytek's ST60 Pro Plus infrared non-contact thermometer with NIST certification	424.00
RAYST80XBUS	Raytek's ST80 Pro Plus infrared non-contact thermometer	449.00
RAYST80XBCRUS	Raytek's ST80 Pro Plus infrared non-contact thermometer with NIST certification	524.00
RAYST80XBISUS	Raytek's ST80 Intrinsically Safe Pro Plus infrared non-contact thermometer	649.00
RAYST80XBISCRUS	Raytek's ST80 Intrinsically Safe Pro Plus infrared non-contact thermometer with NIST certification	724.00

ACCESSORIES		
XXXSTACHC	Spare hard case	\$ 30.00
XXXSTACSC	Nylon holster-style case	20.00
XXXSTACPR	RTD contact probe	50.00

