

# MAS series

## Main switch

- Designed as rapid switching structure so excellent contact reliability.
- Apply the lock ring within the OFF state
- Handle and contact parts are designed as detachable structure (MAS-025)
- 2 color types of handle and handle guard (red, yellow and black, white)
- $\varnothing 22$ ,  $\varnothing 30$  (MAS-025) 4 holes fixed panel mounting
- Clear indication of ON/OFF contact state (turning OFF the operation handle will block all contacts)



### ●● Suffix code

Model	Code	Information
MAS-	<input type="checkbox"/> <input type="checkbox"/>	Main Switch
Rated current	025	25 A a.c
	063	63 A a.c
	125	125 A a.c
Color classification	A	Emergency stop type (yellow guard / red handle)
	B	Standard type (white guard / black handle)

### ●● Specification

Type	MAS-025	MAS-063	MAS-125
Rated insulation voltage(Ui)	690 V a.c	690 V a.c	690 V a.c
Rated operation voltage(Ue)	600 V a.c	600 V a.c	600 V a.c
Rated electro current(Iu/Ith)	25 A	63 A	125 A
Applying categories	AC-21A		
Number of polarities	3P		
Terminal screw	M4	M5	M6
Number of lock hole/hole diameter(mm)	3/9	3/9	3/9
Tightening torque	2.5 N · m	4 N · m	6 N · m
Protective structure	IP 64	IP 55	IP 65

Control switch  
Combination display light

Power switch  
Main switch  
Cam switch

Limit switch  
Micro switch

Hoist switch  
Foot switch  
Mono level switch

Sign tower  
Signal light

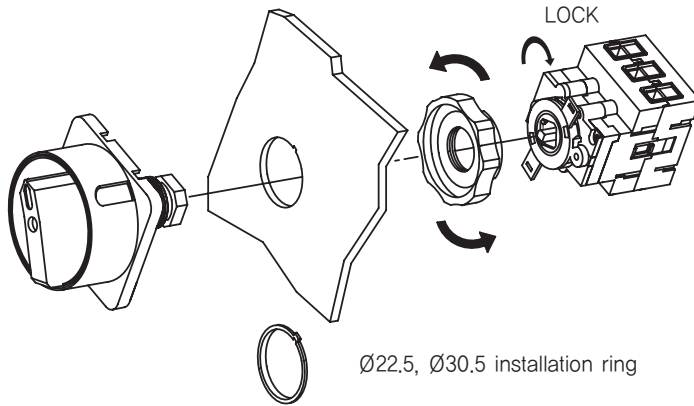
Buzzer  
Terminal block  
Fuse holder

Control box  
Cable connector

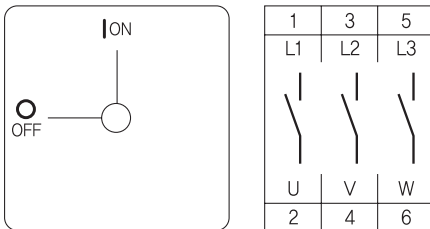
Discontinued Products

## ●● Panel mounting assembly diagram and connection diagram

### ■ MAS-025 assembly diagram

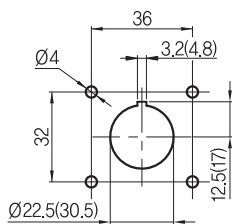


## ●● Connection diagram

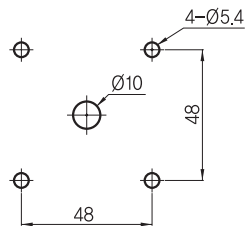


## ●● Panel cutout dimension

### ■ MAS-025


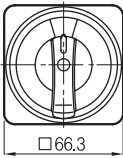
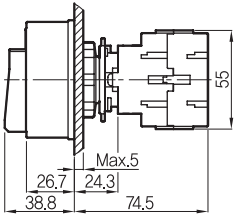

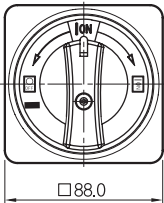
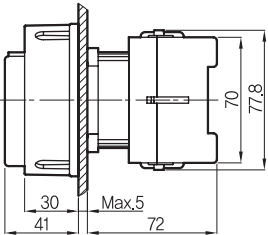

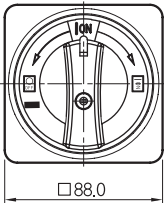
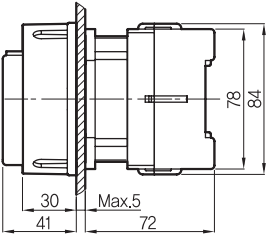


### ■ MAS-063/MAS-125



※ In case of the model MAS-025, install it by using  $\varnothing 4$  fixing bolts or installation ring

●● Dimension (unit : mm)

Appearance	Dimension	Rating and contact composition	
MAS-025		 <p>□66.3</p>	 <p>56 26.7 Max.5 24.3 38.8 74.5</p>
MAS-063		 <p>□88.0</p>	 <p>70 77.8 30 41 Max.5 72</p>
MAS-125		 <p>□88.0</p>	 <p>78 84 30 41 Max.5 72</p>

Control switch  
Combination display light

Power switch  
Main switch  
Cam switch

Limit switch  
Micro switch

Hoist switch  
Foot switch  
Mono lever switch

Sign tower  
Signal light

Buzzer  
Terminal block  
Fuse holder

Control box  
Cable connector

Discontinued Products