

Triple L Shaped Metal Bottom Heater

Durable, efficient metal heater. Available in Steel, 304 Stainless Steel, 316 Stainless Steel, and Titanium.



FEATURES

For use in most aqueous alkaline solutions, plating and phosphate tanks. Check solution recommendation chart with your chemical supplier for proper sheath material selection.

Heavy wall metal sheaths available in: steel, 304 stainless steel, 316 stainless steel, titanium.

Watt densities up to 35 watts per square inch (5.4 w/cm²) ensure long service life.


Vapor-resistant, flame retardant polypropylene terminal enclosure with 3 ft (.9m) flexible PVC liquid tight conduit.

Temperature and level controls sized to match the heater.

Lower watt densities for highly viscous solutions.

3L SERIES, TRIPLE METAL L-SHAPED HEATERS									
WATTS	VOLTS	STD.		STEEL	304 SS	316 SS	TITANIUM	SHIP WGT. Lbs./kg)	
		HORIZ. In./(mm)	VERT.* In./(mm)						
3000	240	13	15	3LP3213-R**	3LF3213-R**	3LS3213-R**	3LT3213-R**	30	
	480	(330)	(381)	3LP3413-R**	3LF3413-R**	3LS3413-R**	3LT3413-R**	(13.6)	
6000	240	17	37	3LP6217-R**	3LF6217-R**	3LS6217-R**	3LT6217-R**	33	
	480	(432)	(940)	3LP6417-R**	3LF6417-R**	3LS6417-R**	3LT6417-R**	(15)	
9000	240	22	37	3LP9222-R**	3LF9222-R**	3LS9222-R**	3LT9222-R**	36	
	480	(559)	(940)	3LP9422-R**	3LF9422-R**	3LS9422-R**	3LT9422-R**	(16.3)	
12000	240	26	37	3LP12226-R**	3LF12226-R**	3LS12226-R**	3LT12226-R**	39	
	480	(660)	(940)	3LP12426-R**	3LF12426-R**	3LS12426-R**	3LT12426-R**	(17.7)	
15000	240	31	37	3LP15231-R**	3LF15231-R**	3LS15231-R**	3LT15231-R**	42	
	480	(787)	(940)	3LP15431-R**	3LF15431-R**	3LS15431-R**	3LT15431-R**	(19.1)	
18000	240	36	50	3LP18236-R**	3LF18236-R**	3LS18236-R**	3LT18236-R**	45	
	480	(914)	(1270)	3LP18436-R**	3LF18436-R**	3LS18436-R**	3LT18436-R**	(20.4)	
24000	240	44	50	3LP24244-R**	3LF24244-R**	3LS24244-R**	3LT24244-R**	54	
	480	(1118)	(1270)	3LP24444-R**	3LF24444-R**	3LS24444-R**	3LT24444-R**	(24.5)	
27000	480	50	50	3LP27450-R**	3LF27450-R**	3LS27450-R**	3LT27450-R**	60	
			(1270)	(1270)				(27.2)	
30000	480	55	50	3LP30455-R**	3LF30455-R**	3LS30455-R**	3LT30455-R**	66	
		(1397)	(1270)					(29.9)	
36000	480	64	50	3LP36464-R**	3LF36464-R**	3LS36464-R**	3LT36464-R**	75	
		(1626)	(1270)					(34)	

 Temperature: Up to 180°C

 120 to 600 volts, 600V on 4,500W or lower only

 Watts: 3000 to 36,000

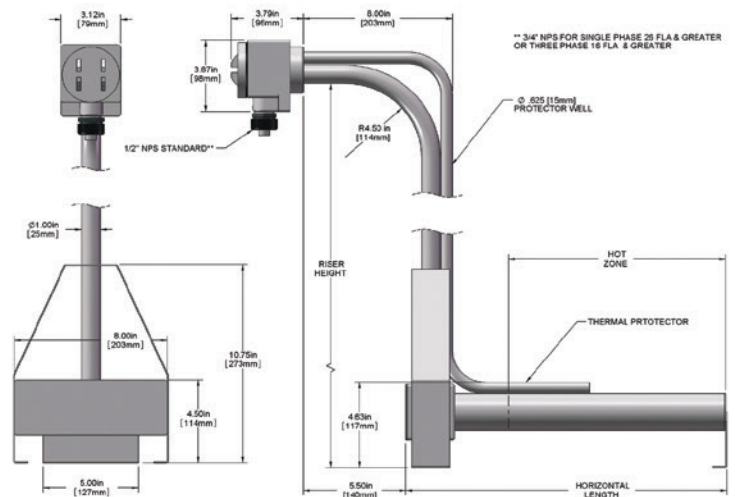
 cULus listed (except steel). CE compliant (except 600 volts)

Triple L Shaped Metal Bottom Heater

SPECIFICATIONS

Wattages	3000 Watts to 36,000 Watts
Voltages	120 volts to 600 volts, (600V on 4,500W or lower only)
Temperature Range	Up to 180°C (82°F)
Options	Special configurations & lengths Longer wire and conduit lengths All metal welded junction box
Safety Features	Grounded construction Thermal protector built in. Replaceable PI protector standard for solutions up to 180°C (82°F). See chart below for options

DIMENSIONS



MODEL NUMBER BREAKDOWN

Series	Wattage	Voltage	Horizontal Length (In.)	Vertical Length (In.)	Riser Option	Phase	Type of Protector	Wire & Conduit Length
3LP = Steel	3 = 3000	1 = 120	13 = 3kW	-R15 = 3kW	Blank = 90° horizontal bend (std)	blank = three phase (std)	Replaceable Fuse	36" length standard (no designator)
3LF = 304 stainless steel	6 = 6000	2 = 240	17 = 6kW	-R37 = 6kW	-S = straight riser	-1 = single phase	P1 (std) = solutions up to 180°F	Specify variations from standard Ex: -X84 = 84"
3LS = 316 stainless steel	9 = 9000	3 = 380	22 = 9kW	-R37 = 9kW			P4 = solutions up to 230°F	
3LT = Titanium	12 = 12000	4 = 480	26 = 12kW	-R37 = 12kW			P5 = solutions up to 300°F	
	15 = 15000	5 = 415	31 = 15kW	-R37 = 15kW			Resettable Fuse	
	18 = 18000	6 = 600	36 = 18kW	-R50 = 18kW			P2 = solutions up to 180°F	
	24 = 24000	7 = 400	44 = 24kW	-R50 = 24kW			P6 = solutions up to 230°F	
	27 = 27000	8 = 208	50 = 27kW	-R50 = 27kW			P7 = solutions up to 300°F	
	30 = 30000	9 = 220	55 = 30kW	-R50 = 30kW				
	36 = 36000	0 = 200	64 = 36kW	-R50 = 36kW				