

Derated Single L Shaped Metal Bottom Heater

Durable, efficient chemical heater. Available in Steel, 304 Stainless Steel, 316 Stainless Steel, and Titanium.



FEATURES

For use in most aqueous alkaline solutions, plating and phosphate tanks. Check solution recommendation chart with your chemical supplier for proper sheath material selection.

Heavy wall metal sheaths available in: steel, 304 stainless steel, 316 stainless steel, titanium.

Watt densities up to 18 watts per square inch (2.7 w/cm²) ensure long service life.

Vapor-resistant, flame retardant polypropylene terminal enclosure with 3 ft (.9m) flexible PVC liquid tight conduit.

Temperature and level controls sized to match the heater.

Lower watt densities for highly viscous solutions.

DL SERIES, DERATED METAL L-SHAPED HEATERS									
WATTS	VOLTS	STD.		STEEL	304 SS	316 SS	TITANIUM	SHIP WGT.	
		HORIZ In./mm	VERT.* In./mm						
500	120	13	15	DLP.5113-R**	DLF.5113-R**	DLS.5113-R**	DLT.5113-R**	10	
	240	(330)	(381)	DLP.5213-R**	DLF.5213-R**	DLS.5213-R**	DLT.5213-R**	(4.5)	
1000	120	17	19	DLP1117-R**	DLF1117-R**	DLS1117-R**	DLT1117-R**	11	
	240	(432)	(483)	DLP1217-R**	DLF1217-R**	DLS1217-R**	DLT1217-R**	(5)	
1500	120	22	25	DLP1.5122-R**	DLF1.5122-R**	DLS1.5122-R**	DLT1.5122-R**	12	
	240	(559)	(635)	DLP1.5222-R**	DLF1.5222-R**	DLS1.5222-R**	DLT1.5222-R**	(5.4)	
2000	480			DLP1.5422-R**	DLF1.5422-R**	DLS1.5422-R**	DLT1.5422-R**		
	240	26	25	DLP2226-R**	DLF2226-R**	DLS2226-R**	DLT2226-R**	13	
2500	480	(660)	(635)	DLP2426-R**	DLF2426-R**	DLS2426-R**	DLT2426-R**	(5.9)	
	240	31	37	DLP2.5231-R**	DLF2.5231-R**	DLS2.5231-R**	DLT2.5231-R**	14	
3000	480	(787)	(940)	DLP2.5431-R**	DLF2.5431-R**	DLS2.5431-R**	DLT2.5431-R**	(6.4)	
	240	36	50	DLP3236-R**	DLF3236-R**	DLS3236-R**	DLT3236-R**	15	
4000	480	(914)	(1270)	DLP3436-R**	DLF3436-R**	DLS3436-R**	DLT3436-R**	(6.8)	
	240	44	50	DLP4244-R**	DLF4244-R**	DLS4244-R**	DLT4244-R**	18	
4500	480	(1118)	(1270)	DLP4444-R**	DLF4444-R**	DLS4444-R**	DLT4444-R**	(8.2)	
	240	50	50	DLP4.5250-R**	DLF4.5250-R**	DLS4.5250-R**	DLT4.5250-R**	20	
5000	480	(1270)	(1270)	DLP4.5450-R**	DLF4.5450-R**	DLS4.5450-R**	DLT4.5450-R**	(9.1)	
	240	55	50	DLP5255-R**	DLF5255-R**	DLS5255-R**	DLT5255-R**	22	
6000	480	(1397)	(1270)	DLP5455-R**	DLF5455-R**	DLS5455-R**	DLT5455-R**	(10)	
	240	64	50	DLP6264-R**	DLF6264-R**	DLS6264-R**	DLT6264-R**	25	
	480	(1626)	(1270)	DLP6464-R**	DLF6464-R**	DLS6464-R**	DLT6464-R**	(11.3)	

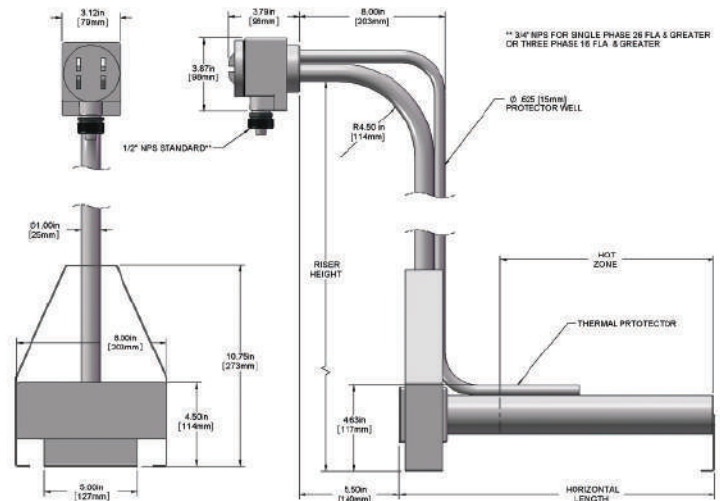
Single phase standard

Derated Single L Shaped Metal Bottom Heater

SPECIFICATIONS

Wattages	500 Watts to 6,000 Watts
Voltages	120 volts to 600 volts, (600V on 4,500W or lower only)
Temperature Range	Up to 180°C (82°F)
Options	Special configurations & lengths Longer wire and conduit lengths All metal welded junction box
Safety Features	Grounded construction Thermal protector built in. Replaceable PI protector standard for solutions up to 180°C (82°F). See chart below for options

DIMENSIONS



MODEL NUMBER BREAKDOWN

Series	Wattage	Voltage	Horizontal Length (in.)	Vertical Length (in.)	Riser Option	Phase	Type of Protector	Wire & Conduit Length
DLP = Steel	5 = 500	1 = 120	13 = 5kW	-R15 = 5kW	Blank = 90° horizontal bend (std)	Blank = single phase (std)	Replaceable Fuse	36" length standard (no designator)
DLF = 304 stainless steel	1 = 1000	2 = 240	17 = 1kW	-R19 = 1kW	S = straight riser	-3 = three phase	P1 (std) = solutions up to 180°F	Specify variations from standard Ex: -X84 = 84"
DLS = 316 stainless steel	1.5 = 1600	3 = 380	22 = 1.5kW	-R25 = 1.5kW			P4 = solutions up to 230°F	
DLT = Titanium	2 = 2000	4 = 480	28 = 2kW	-R25 = 2kW			P5 = solutions up to 300°F	
	2.5 = 2500	5 = 415	31 = 2.5kW	-R37 = 2.5kW			Resettable fuse	
	3 = 3000	6 = 600	36 = 3kW	-R50 = 3kW			P2 = solutions up to 180°F	
	4 = 4000	7 = 400	44 = 4kW	-R50 = 4kW			P6 = solutions up to 220°F	
	4.5 = 4500	8 = 208	50 = 4.5kW	-R50 = 4.5kW			P7 = solutions up to 300°F	
	5 = 5000	9 = 220	55 = 5kW	-R50 = 5kW				
	6 = 6000	0 = 200	64 = 6kW	-R50 = 6kW				