

FLX Series

PRODUCT DATA SHEET

Fluoropolymer Heater

Excellent chemical resistance to aggressive acids!

Inert to most solutions

Low Watt density design saves space & ensures long life

Corrosion-resistant head

Built-in thermal protector & grounded element



Up to 100°C (212°F)



1,000 to 18,000 Watts



120 to 600 Volts



PTFE sleeved 304 stainless steel



CE (except 600 Volts)

FLX SERIES, 3" 150 LB. STYLE SINGLE ELEMENT FLUOROPOLYMER (PTFE) FLANGED HEATERS					
WATTS	VOLTS	NO. OF ELEMENTS	OVERALL LENGTH in/(mm)	MODEL NUMBER	SHIP WGT. lbs/(kg)
1000	120	1	11	3FLX1111-**	20
	240		(279)	3FLX1211-**	(9.1)
2000	240	1	16	3FLX2216-**	23
	480		(406)	3FLX2416-**	(10.4)
3000	240	1	21	3FLX3221-**	26
	480		(533)	3FLX3421-**	(11.8)
4000	240	1	28	3FLX4228-**	29
	480		(711)	3FLX4428-**	(13.2)
5000	240	1	32	3FLX5232-**	32
	480		(813)	3FLX5432-**	(14.5)
6000	240	1	35	3FLX6235-**	35
	480		(889)	3FLX6435-**	(15.9)

FLX SERIES, 6" 150 LB. STYLE THREE ELEMENT FLUOROPOLYMER (PTFE) FLANGED HEATERS					
WATTS	VOLTS	NO. OF ELEMENTS	OVERALL LENGTH in/(mm)	MODEL NUMBER	SHIP WGT. lbs/(kg)
3000	240	3	11	6FLX3211-**	42
	480		(279)	6FLX3411-**	(19.1)
6000	240	3	16	6FLX6216-**	51
	480		(406)	6FLX6416-**	(23.1)
9000	240	3	21	6FLX9221-**	60
	480		(533)	6FLX9421-**	(27.2)
12000	240	3	28	6FLX12228-**	66
	480		(711)	6FLX12428-**	(29.9)
15000	240	3	32	6FLX15232-**	75
	480		(813)	6FLX15432-**	(34)
18000	240	3	35	6FLX18235-**	84
	480		(889)	6FLX18435-**	(38.1)

Features & Values

- Inert to most aqueous acid, alkaline, anodizing, & pickling solutions up to 100°C (212°F)
- Rugged, heavy wall PTFE covered stainless steel element reduces permeation. Guaranteed 100% pinhole free
- Space saving & long service life with low Watt density design of 10 W/in² (1.5 W/cm²)
- Polypropylene terminal enclosure with 3 ft (.9m) flexible PVC liquid tight conduit
- Lower Watt densities available for highly viscous solutions & technical acids

NOTE: Gasket & bolts are not provided. Intended for horizontal installation only.

Specifications

Wattages 1,000 to 18,000 Watts

Voltages 120 to 600 Volts
3FLX single phase only
6FLX single or three phase

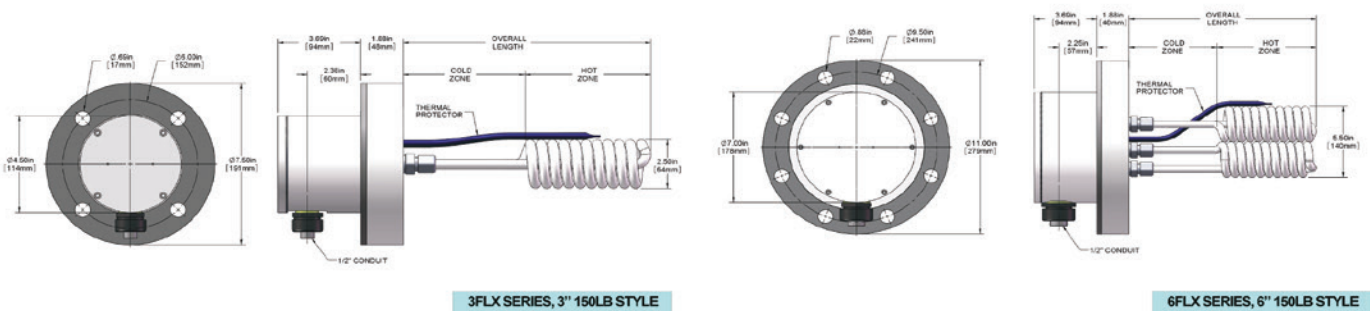
Temperature Range Up to 100°C (212°F)

Safety Features

- Grounded internal metal element
- Built-in thermal protector. Replaceable P1 protector standard for up to 82°C (180°F). Other options available
- Non-floating construction

Certifications CE compliant (except 600V)

Dimensions



3FLX SERIES, 3" 150LB STYLE

6FLX SERIES, 6" 150LB STYLE

Model Number Breakdown

3		FLX		1		1		11		P2	
Flange Size	Series	Wattage	Voltage	Overall Length (in.)		Phase		Type of Protector		Wire & Conduit Length	
3 = 3"	FLX = PTFE	1 = 1000	1 = 120	11 = 1kW	6FLX	No Designator = single-phase (std. for 3FL)		Resettable Fuse (Type-J TC)		36" length standard (no designator)	
6 = 6"		2 = 2000	2 = 240	16 = 2kW	3kW	No Designator = three-phase (std. for 6FL)		Additional control components required		Specify variations from standard Ex: -X84 = 84"	
		3 = 3000	3 = 380	21 = 3kW	6kW	1 = single-phase (6FL only)		P2 = solutions up to 190°F			
		4 = 4000	4 = 480	28 = 4kW	12kW			P8 = solutions up to 210°F			
		5 = 5000	5 = 415	32 = 5kW	15kW						
		6 = 6000	6 = 600	35 = 6kW	18kW						
		9 = 9000	7 = 400	Specify (Custom lengths available)							
		12 = 12000	8 = 208								
		15 = 15000	9 = 220								
		18 = 18000	0 = 200								