

V SERIES, VARIPOWER HEATERS							
WATTS	VOLTS	HOT	NO. OF	316	FLUOROPOLYMER	SHIP	
		ZONE	ELEMENTS				
		In./(mm)	In./(mm)	(see drawing)			Lbs./(kg)
100	120	4	7	1	VS.1107	VX.1107	1
	240	(102)	(178)	1	VS.1207	VX.1207	(.45)
300	120	6	9	2	VS.3111	VX.3111	1
	240	(152)	(229)	2	VS.3211	VX.3211	(.45)
500	120	6	11	3	VS.5111	VX.5111	2
	240	(152)	(279)	3	VS.5211	VX.5211	(.9)
1000	120	6	11	6	VS1111	VX1111	3
	240	(152)	(279)	6	VS1211	VX1211	(1.4)

Designed for vertical installation. Patented self-regulating design protects against overheating and fires.

V Series Heater Features and Benefits

SUPERIOR CHEMICAL RESISTANCE:

- Materials available for use in most aqueous plating solutions.

Fluoropolymer (PFA) models are inert to most aqueous acid, alkaline, anodizing, and pickling solutions up to 212°F(100°C).

316 stainless steel models are suitable for less corrosive applications.

Check solution recommendation chart or with your chemical supplier for proper sheath material selection.

RUGGED CONSTRUCTION:

- 316 stainless steel or fluoropolymer (PFA) covered. Heavy wall fluoropolymer (PFA) covered stainless steel element reduces permeation and reduces the need for gas purge systems. Guaranteed 100% pinhole free.

OUTSTANDING PERFORMANCE:

- Low watt density design (20 watts/square inch, 3 w/cm²) for long service life. Auto stabilizing solid state element prevents hot spots and ensures uniform heating.

CORROSION RESISTANT HEAD:

- Vapor resistant, flame retardant polypropylene terminal enclosure (do not immerse).
- 4-foot (1.2m) cord with a rubber cap standard on single tube heater.
- 3-foot (.9m) flexible PVC liquid tight conduit for 300 watt and larger multi-tube units.
- Plug included with 100 watt, 120-volt heaters only.

SAFETY FEATURES:

- Patented self-regulating design protects against overheating. Additional thermal protection not required.
- Grounded internal metal element.
- Non-floating construction.

CERTIFICATIONS: CE.

SIZES: 100 watts to 1,000 watts.

VOLTAGES:

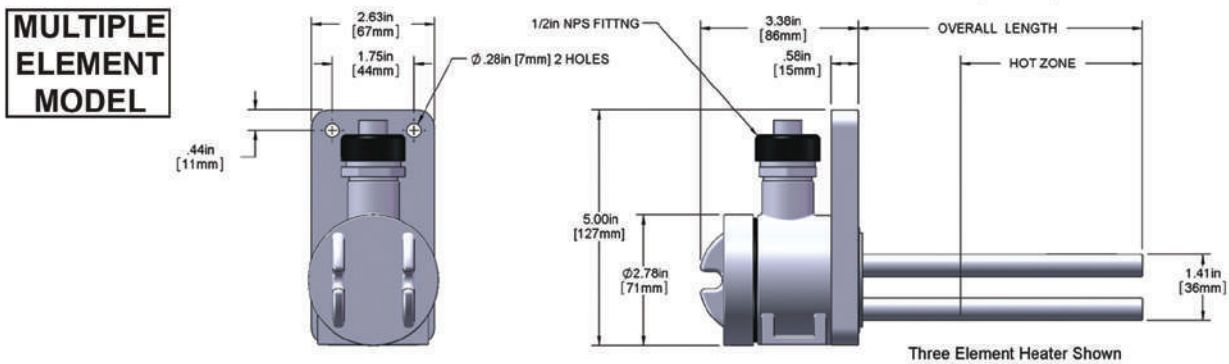
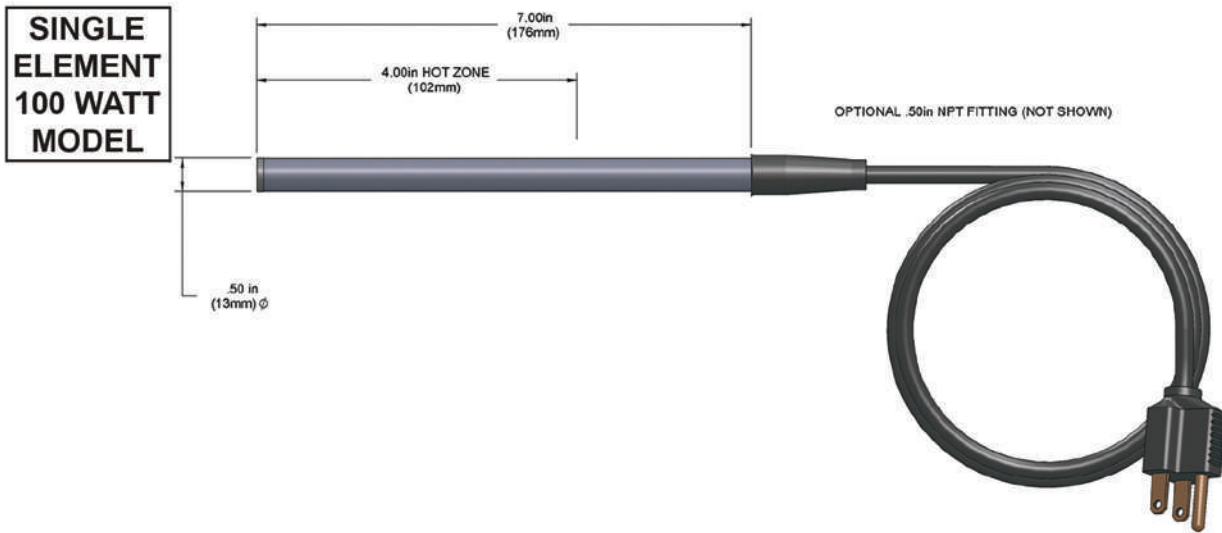
- 120 or 240 volts. 208 volts available.

OPTIONS AVAILABLE (consult factory):

- Special configurations and lengths.
- Threaded 1/2" MNPT PVDF compression fittings for through tank wall installations (100 watt single element versions only).
- Longer cord lengths or wire and conduit lengths.
- Titanium sheaths.
- Prewired plug-in connectors.
- Temperature and level controls sized to match the heater.

NOTE: Do not immerse terminal enclosure or complete element.

DIMENSIONS



VARIPOWER ORDERING INFORMATION

Series	Wattage	Voltages	Overall length (in inches)	Cord or wire and conduit
	.1 = 100 .3 = 300 .5 = 500 1 = 1,000	1 = 120 2 = 240 8 = 208		
		7 = 100W 11 = 300W (2 element) 500W (3 element) 1,000W (6 element)		
	VS = 316 stainless steel VX = fluoropolymer			
			4 foot cord and plug (100W/120V only) or 4 foot wire and conduit (300-1,000 watt models) = no designator. Specify variations from standard Ex: -X84 = 84" long cord or wire	

ORDERING EXAMPLE:

VX-1107-X60

Varipower fluoropolymer, 100 watt, 120 volt, 7" long, 60" cord and plug.