

6 - Point Rotary Switch

CE approved

SPECIFICATIONS

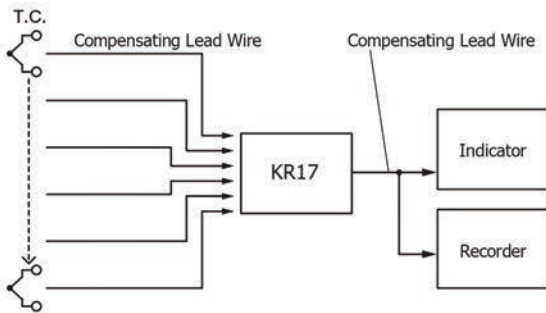
■ No. of switching points	: 6
■ No. of switching circuits	: 2
■ Switching operation	: Rotary switching
■ Applicable signal	: Thermocouple, voltage (R.T.D. not supported)
■ Contact rating	: Contact method: Contact slide Current: Max. 100 mA DC Voltage: Max. 30 V DC Contact resistance: Max. 300mΩ
■ Operating ambient temperature range	: -10–50°C
■ Operating ambient humidity range	: 90%RH or less (no dew condensation)
■ Applicable standard	: Safety standard: IEC 61010-1 and EN 61010-1; IEC 61010-2-030 and EN 61010-2-030 EMC standard: EN 61326-1 Complies with RoHS Directive
■ Material	: PPE resin
■ Color	: Case: Munsell N1 equivalent Front side: Munsell N1 equivalent
■ External dimensions	: H48 × W96 × D128 mm (100 mm depth inside the mounting panel)
■ Panel cutout	: H45 × W92 mm
■ Installation	: One-touch mounting through panel cutout
■ Panel thickness	: 1.0–4.0 mm
■ Weight	: Approx. 250 g

ORDERING INFORMATION

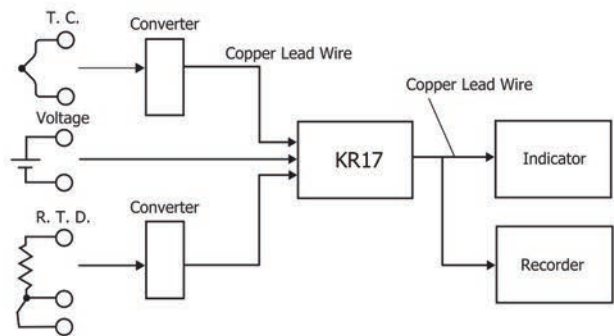
ITEMS	CODE	SPECIFICATIONS
SERIES	KR17 -	Rotary type 6 points selector switch
REMARKS	0	Without
	9	With (Please consult before ordering.)

APPLICATION EXAMPLE

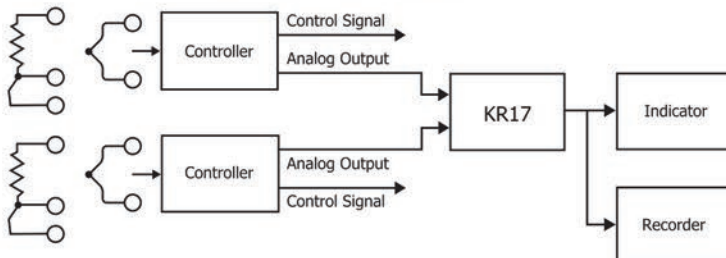
1. Selection of Thermocouple Switching



2. Selection of Voltage Switching



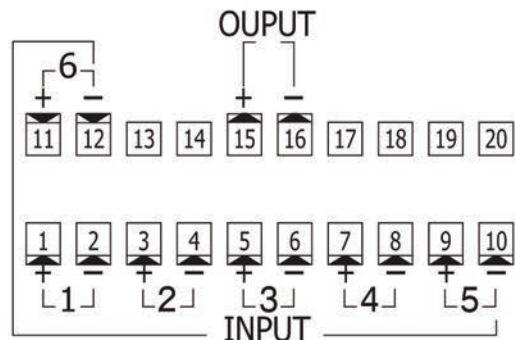
3. Selection of Analog Output (Voltage)



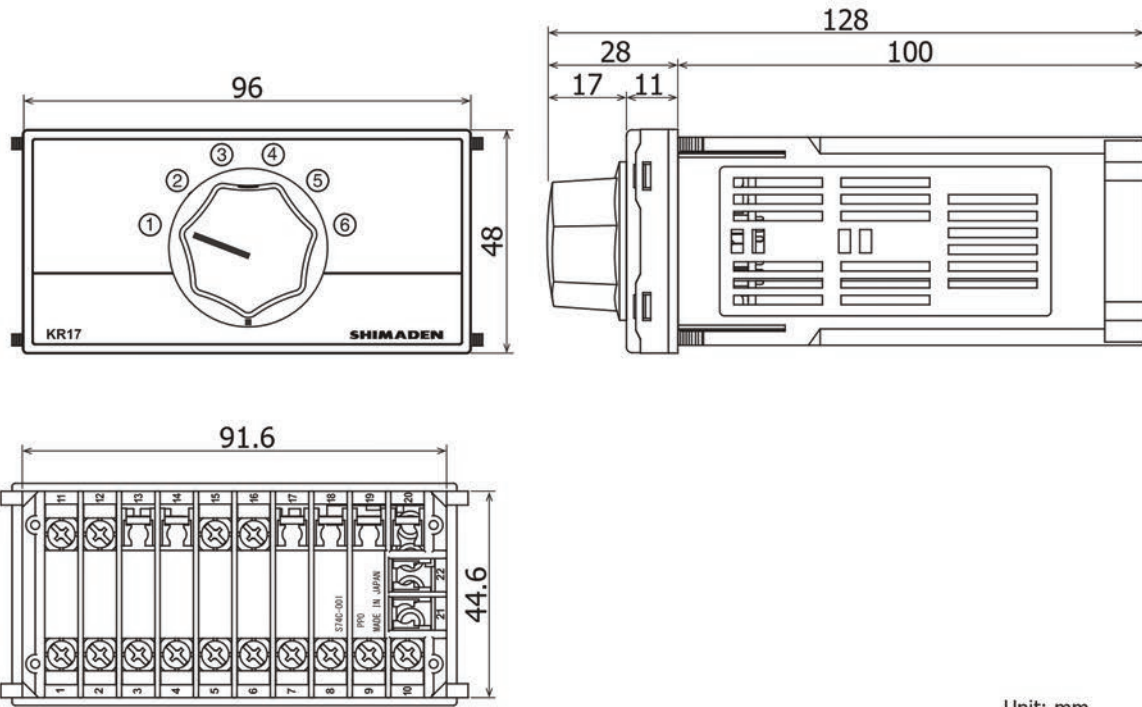
4. Installation Example with SD17



Terminal Arrangement

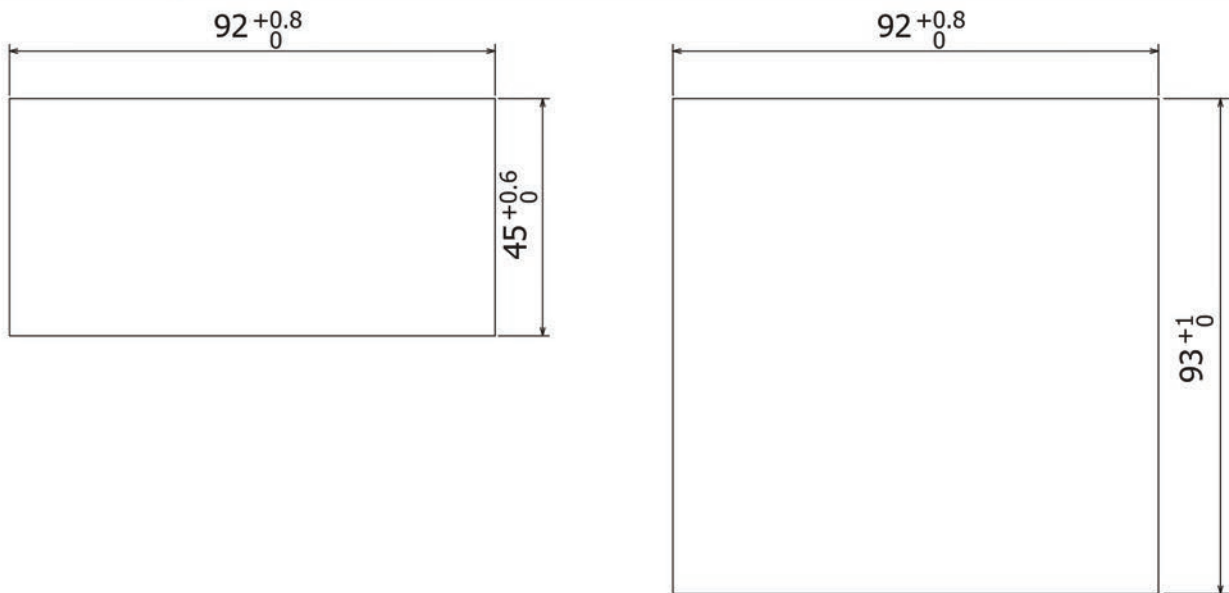


External Dimensions



Unit: mm

Panel Cutout



In case of installed with SD17