

# POWERSCOUT™ 3037

## Three (3) Channel Power Meter



The Powerscout™ PS3037 has been designed to be one of the most flexible power meters on the market today and is compact enough to facilitate mounting directly in your electrical panel. The PS3037 can be used on any Single or Three Phase service panel or piece of equipment that meets the power supply range of 80 to 600 VAC. Unlike many of the power meters on the market today, the PS3037 meters can be easily paired with any number of Standard and Revenue Grade mV output current transformers in the field to monitor the operating current ranges from 0.25 to 4000 Amps. The CT's must be purchased separately as shown on the Standard and Revenue Grade CT's product data sheets. Each meter also includes additional features such as the Patented PhaseChek™ LED's (US Patent # 7612552), Viewpoint Programming Software, Revenue Grade 0.2% Accuracy, NIST Calibration Certificate, Din Rail

Mounting, Pulse Output and is Internally Fused. The Viewpoint Programming Software will allow you to easily setup and configure your meters while sitting at your desk through the use of a single USB Port and standard USB A-B cable. Save all of your setup table information for easy programming of multiple meters using similar setup tables. Once the meter is installed, real time data streaming using the ViewPoint™ Software is available for non-display units along with the PhaseChek™ LED's to ensure that all CT's orientations are correct once installed. An optional display is available to provide local streaming of data once installed and can be locked onto a specific data screen through the use of an integral push button on the side of the meter. An optional Gray, powder coated, UL rated metal electrical enclosure is available for mounting up to two PS3037 power meters in a single enclosure with and without a clear viewing window for use with display models. An optional fuse kit assembly is available which includes a 35 mm Din rail and four din rail mounted fuse blocks with 14 AWG, 600 VAC wires for easy attachment to the meter. For more information regarding the PS3037 Power Meter and any of its accessories or to discuss your application in further detail, please contact your ACI Sales representative.

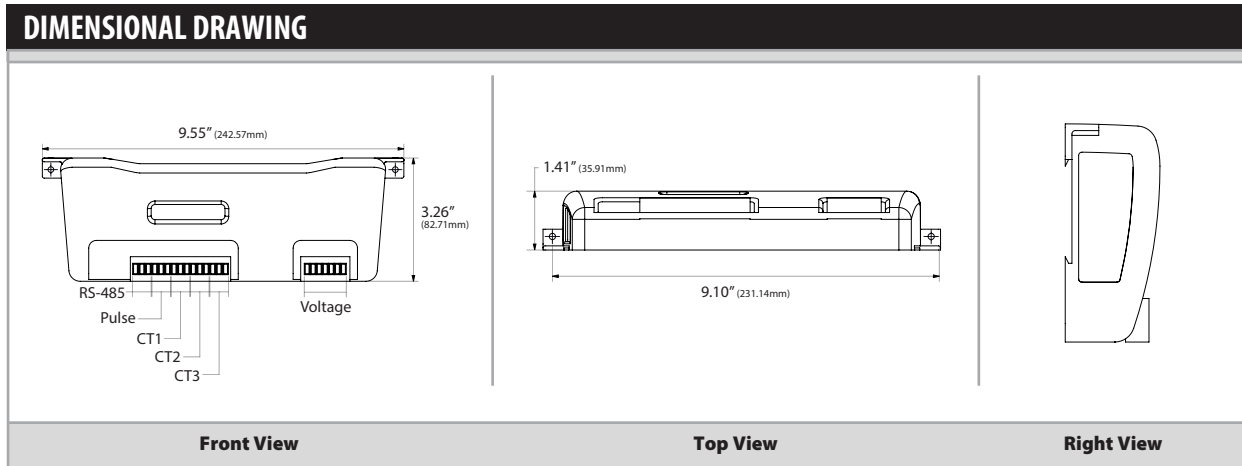
**Applications:** Energy and Demand Metering, Data Centers, Bi-Directional Metering, Load Surveys, LEED/Green Projects, Process Improvements, Real Time Power Monitoring in Commercial, Retail and Industrial Environments

**The PS3037 Power Meters are covered by ACI's Five (5) Year Limited Warranty. The warranty can be found in the front of ACI's Sensors & Transmitters catalog, as well as on ACI's website, [www.workaci.com](http://www.workaci.com).**

### PRODUCT SPECIFICATIONS

<b>Service Type:</b>	Single Phase, Split Phase, Three Phase - 4 Wire (Wye)   Three Phase - 3 Wire (Delta)
<b>Power:</b>	From L1 Phase to L2 Phase   80 to 600 VAC RMS CAT III 50/60 Hz, 90 mA AC maximum
<b>AC Protection:</b>	0.5A Internal Fuse Protection
<b>Power Output:</b>	Unregulated 5 VDC Output, 140 mA maximum supply current
<b>Voltage Channels:</b>	80 to 346 Volts AC Line to Neutral, 600 VAC Line to Line, Cat. III
<b>Current Channels:</b>	3 Channels, 0.525 VAC max, 333 mV CT's, 0 to 4000 Amps with Rocoil™ CT's
<b>Maximum Current Input:</b>	158% of Current transducer rating (mV CT's) to maintain accuracy   Measure up to 4000 Amps (Rocoil™ CT's)
<b>Measurement Type:</b>	True RMS with High Speed Digital Signal Processing (DSP)
<b>Line Frequency:</b>	50/60 Hz
<b>Waveform Sampling:</b>	12 kHz
<b>Parameter Update Rate:</b>	0.5 seconds
<b>Measurements:</b>	Volts, Amps, kW, kVAR, kVARh, kVA, kVAh, aPF, dPF, All Parameters for each Phase and System Total
<b>Accuracy:</b>	0.2% ANSI C12.20-2010 Class 0.2
<b>Resolution:</b>	0.01 Amp, 0.1 Volt, 0.01 Watt, 0.01 VAR, 0.01 VA, 0.01 Power Factor depending on Scalar Setting
<b>Display:</b>	Optional 2 x 16 character display which auto cycles between screens; Real time values updated every second
<b>Pulse Output:</b>	Open Collector, Optically Isolated, 5mA maximum current, 30V maximum open voltage
<b>Communications:</b>	User Selectable Modbus or BACnet MS/TP (RS485 or Ethernet)
<b>Maximum Distance:</b>	1200 meters (3,937 Feet) with data range of 100K bits/second or less
<b>Supported Baud Rates:</b>	9600 (Modbus Default), 19200, 38400, 57600, 76800 (BACnet Default), 115200 Baud
<b>Data Bits   Parity   Stop Bit</b>	8   None, Even, One   2, 1
<b>Data Formats:</b>	Modbus RTU, BACnet MS/TP, Modbus TCP/IP or BACnet IP
<b>Operating Temperature Range:</b>	-4 to 140°F (-20 to 60°C)
<b>Operating   Storage Humidity Range:</b>	5 to 95%, non-condensing
<b>Case Material   Flammability Rating:</b>	ABS Plastic   UL 94V-0
<b>Wiring Connections:</b>	Depluggable, Screw Terminal Blocks (Polarity Sensitive - PhaseChek™ LED Indication)
<b>Mounting:</b>	Screw Mounting Tabs or TS35/7 Din Rail (35 mm)
<b>Viewpoint™ Software Operating System:</b>	Windows® 10, Windows® 8, Windows®7 (Included with Purchase of Meter)
<b>Communications:</b>	Ethernet or USB, One Free USB Port required on PC
<b>Agency Approvals:</b>	<ul style="list-style-type: none"> <li>CE (EN 61000-6-4: Class A), RoHS2, WEEE, ISO 9001:2008: BTL (BACnet) Certified</li> <li><b>UL Listed:</b> Conforms to UL Std. 61010-1, 3rd Edition &amp; IEC 61010-2-030 1st Edition (UL File# E186827)</li> <li><b>ANSI C12.20 Class 0.2:</b> NIST Traceable Calibration Certificate Included</li> <li>CAN/CSA-C22.2 No. 61010-1</li> </ul>
<b>Product Weight:</b>	0.750 lbs. (0.340 kg), <i>CT's not Included</i>
<b>Product Dimensions (L x W x H):</b>	9.53" (24.2 cm) x 3.35" (8.5 cm) x 1.58" (4.0 cm)

# CURRENT | POWER METERS | POWERSCOUT™ 3037



### STANDARD ORDERING

Model # Example: **PS3037-S-N** -OR- **136929**

Model #	Item #	Description	Modbus*		BACnet*	
			RTU	TCP/IP	MS/TP	IP
<b>PS3037-S-N</b>	136929	Powerscout PS3037, Serial Only, No Display	•		•	
<b>PS3037-S-D</b>	136930	Powerscout PS3037, Serial Only with Display	•		•	
<b>PS3037-E-N</b>	136931	Powerscout PS3037, Ethernet+Serial, No Display	•	•	•	•
<b>PS3037-E-D</b>	136932	Powerscout PS3037, Ethernet+Serial with Display	•	•	•	•

**Note\*:** Communication Protocols Included

### ACCESSORIES ORDERING

Model # Example: **567-551** -OR- **143163**

Model #	Item #	Description
<b>567-551</b>	143163	NEMA 1 Cabinet with Blank Door
<b>567-556</b>	143164	NEMA 1 Cabinet with Window Door
<b>567-090-01</b>	143165	Meter Mount & Fuse Protection Module