

# Model SRIM2

## Room Isolation Monitor

Setra's SRIM2 has the most alarming features of all of our non-BACnet product measuring low differential pressure in critical applications. The SRIM2, built on the foundation of the SRIM1, is an ideal solution for anyone who requires cost-effective local monitoring and alarming of multiple parameters, but does not require BACnet protocol. The SRIM2 has a 3-color backlit display, for easy menu navigation and visual/audible alarm setup for pressure, temperature, and humidity.

### Why Use Anything But the Best?

Protection and isolation rooms are designed to adhere to strict standards in order to provide a proper barrier between the room and reference space. Unlike a flow-through design, the SRIM2 utilizes an on-board dead-ended low differential pressure sensor. This technology provides the user with a trusted solution & peace of mind that the sensor will prevent contaminated air from passing through it.

### Alarm Everything That You Monitor

The SRIM2 provides audible and visual alarming for pressure, temperature and humidity to give you peace of mind in your critical environment. High and low alarm set-points for each parameter are easily configurable through a four-button membrane keypad. A digital input is also provided to show door status.

### Three Color Easy-to-See Status Screen

The SRIM2's three-color backlit screen allows the end user to easily view the status of the monitored space with green (normal), yellow (warning) and red (alarm) status screens. Alarms can be configured to be delayed to ensure that each SRIM2 is configured to the specific needs of the end user and minimize nuisance alarms.

### Save Time and Money on Calibration

With requirements to calibrate pressure sensors anywhere from 1-3 times annually, the Setra SRIM2 offers a solution to help you save on calibration time. The SRIM2 allows the end user to remove the sensor without detaching any wiring or plumbing, saving time and money by completing the calibration in minutes.



- Alarm on 4 Parameters
- Save on Calibration & Installation
- Maximize Patient Safety

### Model SRIM2 Features:

- Dead-ended On-board Sensor
- Configurable Audible & Visual Alarms
- Removable Faceplate for No Hassle Calibration
- Industry Best Accuracy
- Flush Mount (51mm wall depth) and Surface Mount Available
- 3-Color LCD Display for Easy Setup and Room Display
- Monitor & Alarm Pressure, Temp, RH and Door (Digital)

### Applications:

- Operation Rooms
- Isolation Rooms
- Compounding Pharmacies
- Cleanrooms

# Model SRIM2

## Room Isolation Monitor



### ORDERING INFORMATION

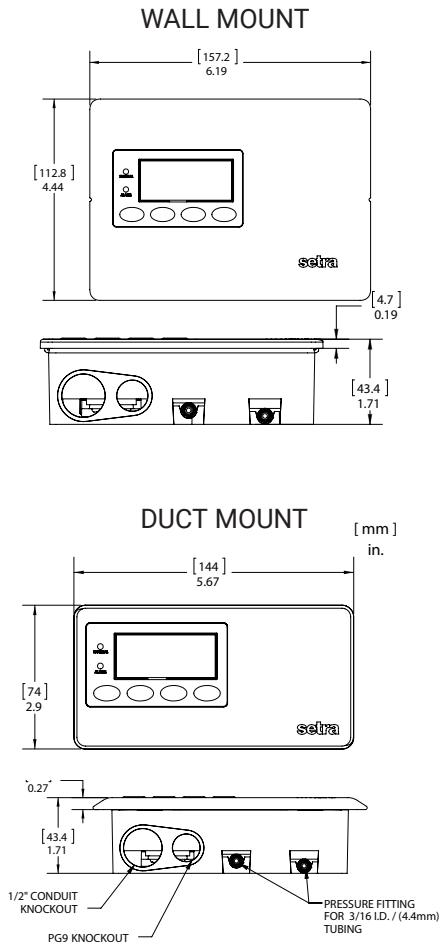
S R I M 2 - [ ] [ ] [ ] [ ] - [ ] - [ ] [ ] - [ ] [ ] - [ ] - [ ] [ ]

Model	Pressure Ranges					Type <sup>2</sup>		Output <sup>2</sup>		Mounting/Logo		Accuracy		Pressure Snubber	
	("W.C.)			(Pascals)		D	Unidirectional	11	4 to 20mA	WL	Wall Mount w/ Logo	C	±1.0% FS	N	None
SRIM2 = SRIM2						B	Bidirectional	2B	0 to 5 VDC	DL	Duct Mount w/ Logo	F	±0.25% FS w/ cal. cert	1	Quantity 1
	R05W <sup>1</sup>	0 to 0.05	±0.05	Z02L	0 to 12.5	±12.5		2C	0 to 10 VDC	WN	Wall Mount, No Logo	H	±0.05% FS w/ cal. cert	2	Quantity 2
	OR1W	0 to 0.1	±0.1	O25L	0 to 25	±25				DN	Duct Mount, No Logo	G	±1.0% FS w/ cal. cert		
	R25W	0 to 0.25	±0.25	O50L	0 to 50	±50				SN	Wall Mount, Stainless Steel Bezel				
	OR5W	0 to 0.5	±0.5	100L	0 to 100	±100				SL	Wall Mount, Stainless Steel Bezel, w/ Logo				
	001W	0 to 1.0	±1.0	250L	0 to 250	±250									
	2R5W	0 to 2.5	±2.5	500L	0 to 500	±500									
	005W	0 to 5.0	±5.0	10CL	10CL	10CL									
				25CL	0 to 2500	±2500									

<sup>1</sup>Available in unidirectional only  
<sup>2</sup>Field configurable but factory configured for calibration certificate.

Example: Part No. SRIM2R05WD11SNC1 = Model SRIM2, 0 to 0.05 in. W.C. Pressure Range, Unidirectional, 4 to 20 mA Output, Wall Mount with Stainless Steel Bezel, ±1.0% FS Accuracy, 1 Snubber

### DIMENSIONS



### GENERAL SPECIFICATIONS

Performance Data				Environmental Data	
	Code F	Code H	Code C/G	Operating Temp. <sup>3</sup> °F (°C)	22 to +140 (-6 to +60)
Accuracy RSS*	±0.25% FS	±0.5% FS	±1.0% FS	<b>Electrical Data</b>	
Non-Linearity (BFSL)	±0.22% FS	±0.49% FS	±0.98% FS	Circuit	3-Wire (Exc, Out, Com)
Hysteresis	±0.1% FS	±0.1% FS	±0.1% FS	Output (Field Selectable)	0 to 5 VDC, 0 to 10 VDC, 4 to 20 mA
Non-Repeatability	±0.05% FS	±0.05% FS	±0.05% FS	Power	18 to 30 VDC or 24 VAC ±10%
Zero/Span Setting Tol.	±0.5% FS	±0.5% FS	±1.0% FS	Power Consumption	4 W. MAX (24 VDC) 8 W. MAX (25 VAC)
<b>Thermal Effects</b>				<b>Physical Description</b>	
Compensated Range °F (°C)	40 to 120 (4.5 to 50)			Electrical Connection	Screw Terminal
Zero/Span Shift %FS	±0.02% FS/deg <sup>c</sup> Typ.			Dimensions	See reverse side
Overpressure	Up to 10 PSI (Range dependent)			Weight	10.7 oz.
<b>Pressure Media</b>				Display	Custom 2-Line Character LCD
Clean air or similar non-conducting gases.				Pressure Fittings	Barbed Fittings for 1/4" Tubing
<b>Certifications</b>				Case	Fire Retardant Plastic UL94V-0
CE	EN61326-1 & EN61326-2-3 BASIC Immunity & Class B Emission				
RoHS					

<sup>3</sup>RSS of Non-Linearity, Hysteresis, and Non-Repeatability. Specifications subject to change.