



Ethylene Detector-Transmitter E2608-C2H4



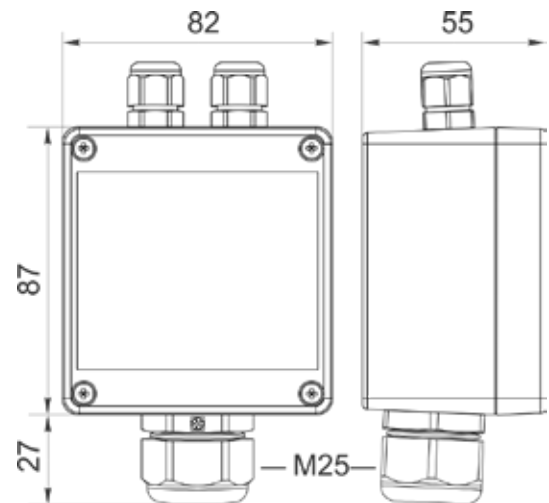
Features

- Wall-mount or duct-mount version
- Industrial IP65 housing
- Two analog outputs settable to 4-20 mA or 0-10 V
- RS485 Modbus RTU digital interface
- Two relays for alarm / ventilation control
- Attached or remote sensor

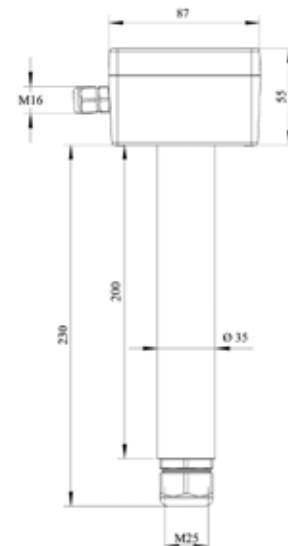
Specifications

Calibration	Ethylene C ₂ H ₄		
Sensor type	Electrochemical		
Sampling method	Diffusion		
Typical detection range	0...10 ppm	0...200 ppm	0...1500 ppm
Maximum overload	20 ppm	500 ppm	3000 ppm
Resolution / digital unit	0.1 ppm	1 ppm	1 ppm
Response time T80	< 60 s	< 60 s	< 60 s
Signal update	Every 1 second		
Sensor lifetime	> 2 years		
Maintenance interval	6 months		
Self-diagnostics	Full functionality check at start-up		
Warm-up time	≤ 1 min		
Power supply	12...36 VDC (default), 24 VAC or 230 VAC as options		
Power consumption	< 2 VA		
Digital interface	RS485, Modbus RTU protocol		
Analog outputs	2 × 4-20 mA / 0-10 V, user settable		
Output scale width	Recommended: 20-100% of the range; > 10 × resolution in any case		
Output relays	2 × SPST relays (closing contact), 250 VAC / 30 VDC, 5 A max		
Default alarm setpoints	Determined by user within 5-95% of the range		
Enclosure	Grey ABS plastic, wall mount, protection class IP65		
Dimensions	H87 × W82 × D55 mm		
Remote sensor probe	Protection IP65, shielded cable default cable length 3.0 m		
Operating environment	Industrial indoor and outdoor locations		
Operating conditions	-20...+50°C, 15...100 %RH; 0,9...1,1 atm; Explosion-safe areas; Non-aggressive atmosphere		

Wall mount version



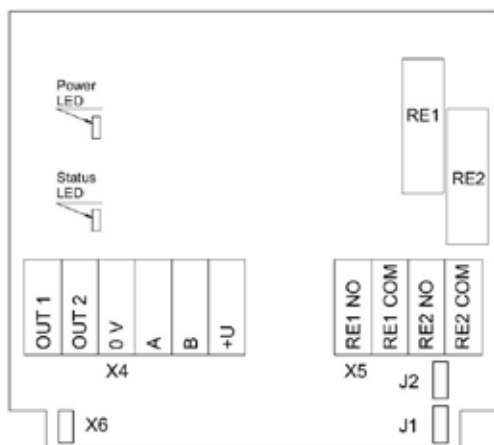
Duct mount version



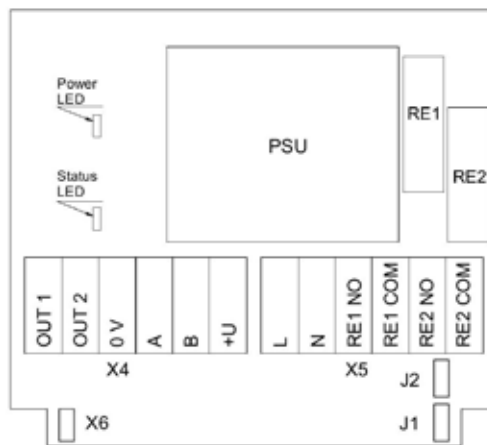
Ask for other versions or custom designed products



Connection diagrams



Version without PSU



Version with PSU

Jumpers

J1 OUT1 type (open: 4-20 mA; closed 0-10 V)
 J2 OUT2 type (open: 4-20 mA; closed 0-10 V)
 X6 Reset Modbus network parameters to default

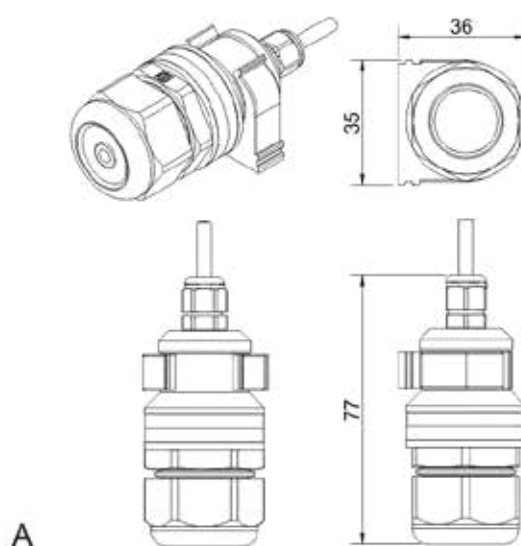
X4 terminals

OUT1 4-20 mA / 0-10 V output
 OUT2 4-20 mA / 0-10 V output
 0V 0 V / 24 VAC Neutral (optional)
 A RS485 A / Data +
 B RS485 B / Data -
 +U +24 VDC / 24 VAC Phase (optional)

X5 terminals (optional)

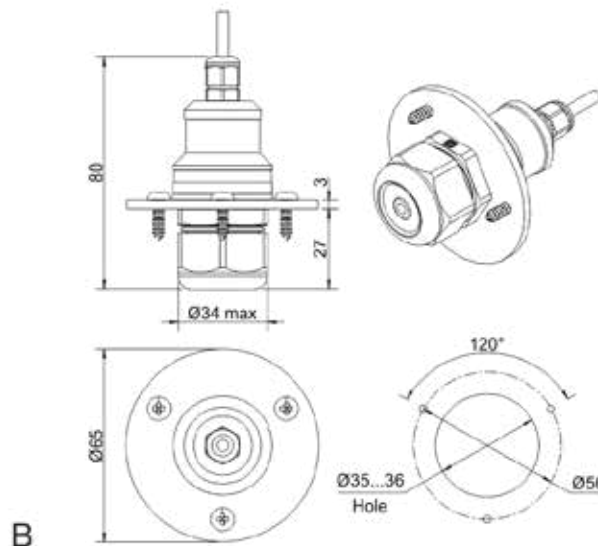
L 90...265 VAC Phase
 N 90...265 VAC Neutral
 RE1 NO Relay 1, normally open terminal
 RE1 COM Relay 1, common terminal
 RE2 NO Relay 2, normally open terminal
 RE2 COM Relay 2, common terminal

Remote probe



A

Wall mount remote probe with fixing clamp (default version)



B

Remote probe with rubber flange and three self-tapping screws (on request)

