



# Ammonia Detector-Transmitter E2638-NH3-P



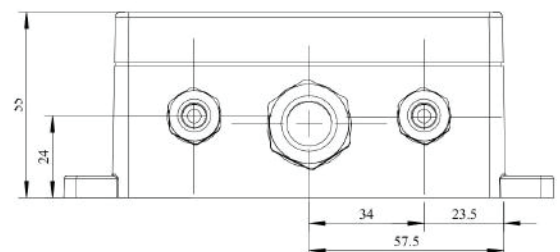
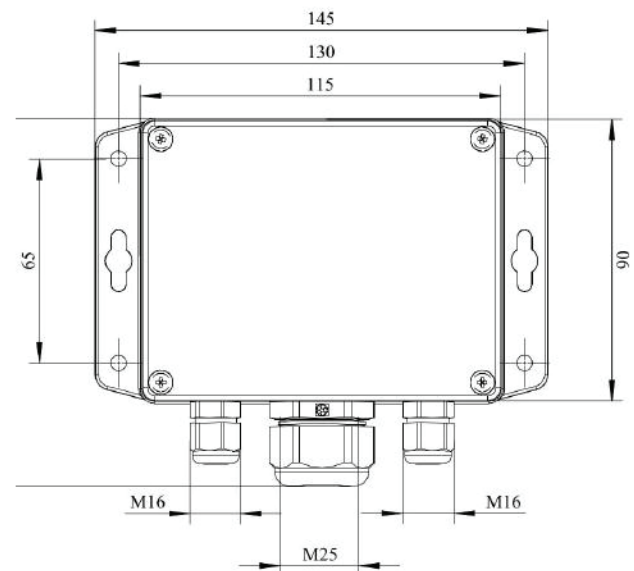
## Features

- Accurate and stable measurement
- Easy to install robust enclosure
- Two analog outputs settable to 4-20 mA or 0-10 V
- RS485 Modbus RTU digital interface
- Relay option
- Attached or remote sensor
- LCD indicator option

## Specifications

Calibration	Ammonia NH <sub>3</sub>
Sensor type	Pellistor (catalytic bead)
Sampling method	Diffusion
Typical detection range	0...15%vol. (0...100%LEL NH <sub>3</sub> )
Resolution	0.1%vol. or 1%LEL
Response time T90	≤10 s
Sensor lifetime	> 3 years
Maintenance interval	6 months
Operating temperature	-20...+60 °C
Signal update	Every 1 second
Self-diagnostics	Full functionality check at start-up
Warm-up time	≤ 1 min
Power supply options	12...36 VDC (default) 24 VAC or 230 VAC as options
Power consumption	< 2 VA
Digital interface	RS485, Modbus RTU protocol
Analog outputs	2 × 4-20 mA / 0-10 V, user settable
Output scale width	Recommended: 20-100% of the range; > 10 × resolution in any case  Analog output scale can be set according to customer's requirement (e.g. 0...4%vol. NH <sub>3</sub> )
Enclosure	Grey ABS plastic, wall mount, protection class IP65
Dimensions	H90 × W145 × D50 mm (housing only) H140 with cable glands
Operating environment	Industrial indoor and outdoor locations
Operating conditions	(operating temperature is specified above) ≤ 95% RH non condensing; 0.9...1,1 atm Explosion-safe areas Normal ambient oxygen level Avoid strong mechanical shock, vibrations or EMI; Avoid exposure to corrosive gases or silicone containing products.

## Dimensions



Ask for other versions or custom designed products

## Additional options

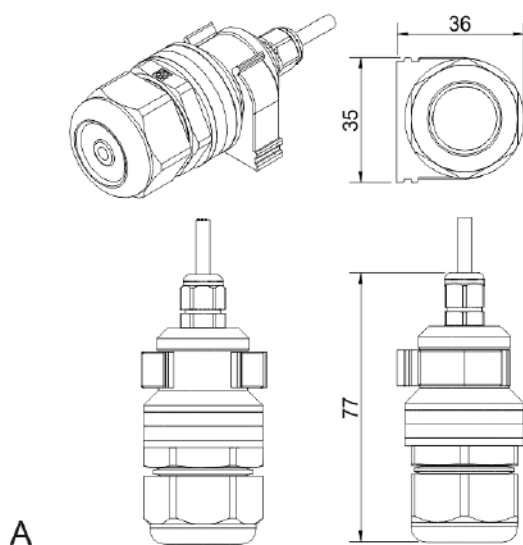
Remote sensor probe	Protection IP65, shielded cable default cable length 3.0 m
Self-test button	Triggers both relays simultaneously; push-button switch
<b>Relay outputs</b>	
Output relays	2 × SPST relays (closing contact), 250 VAC / 30 VDC, 5 A max
<b>Alarm signalling</b>	
Visual	Red and green LEDs
Acoustic	Buzzer 85 dB
<b>LCD indicator</b>	
Operating temperature	0...+50 °C
Display dimensions	72 × 36 mm
Number of digits	3.5 7-segment
Character height	14 mm
Other features	Backlight

**NOTE!** Only one analog output is available for a version with LCD.  
**NOTE!** LCD and LEDs can not be chosen simultaneously.

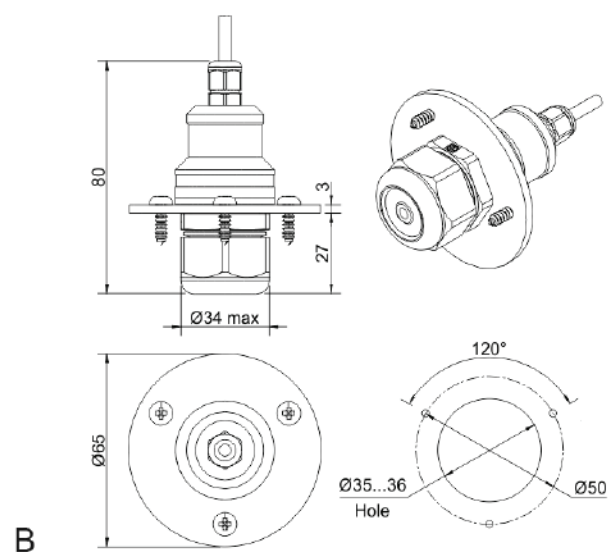
## Version with LCD indicator



## Remote probe

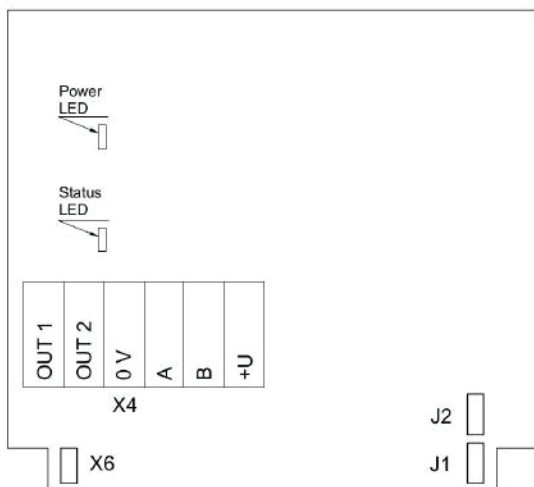


Wall mount remote probe with fixing clamp (default version)

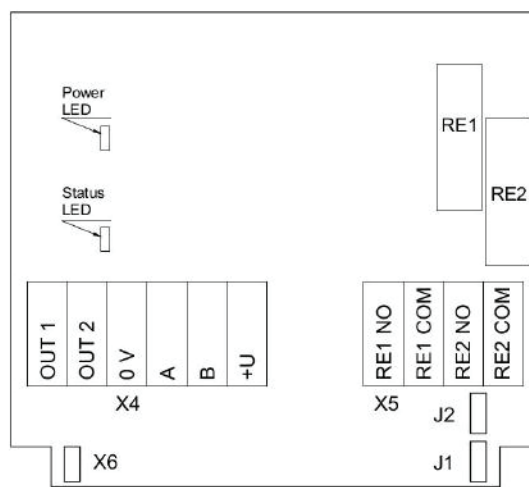


Remote probe with rubber flange and three self-tapping screws (on request)

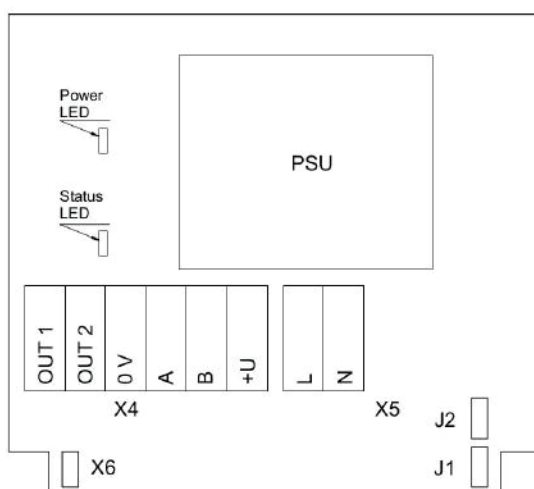
## Connection diagrams



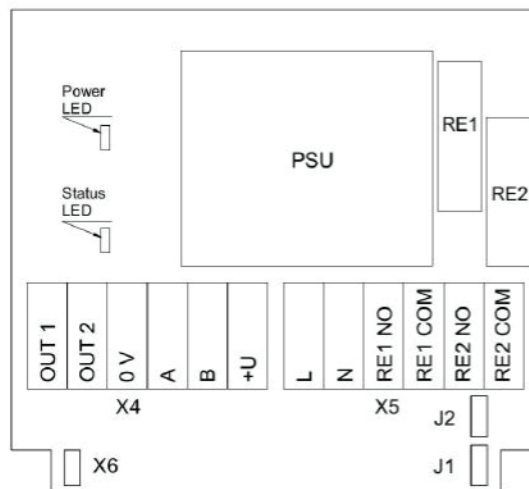
Version without PSU and relays



Version without PSU and with relays



Version with PSU and without relays



Version with PSU and relays

### Jumpers

<b>J1</b>	OUT1 type (open: 4-20 mA; closed 0-10 V)
<b>J2</b>	OUT2 type (open: 4-20 mA; closed 0-10 V)
<b>X6</b>	Reset Modbus network parameters to default
<b>X4 terminals</b>	
<b>OUT1</b>	4-20 mA / 0-10 V output
<b>OUT2</b>	4-20 mA / 0-10 V output
<b>0V</b>	0 V / 24 VAC Neutral (optional)
<b>A</b>	RS485 A / Data +
<b>B</b>	RS485 B / Data -
<b>+U</b>	+24 VDC / 24 VAC Phase (optional)
<b>X5 terminals (optional)</b>	
<b>L</b>	90...265 VAC Phase
<b>N</b>	90...265 VAC Neutral
<b>RE1 NO</b>	Relay 1, normally open terminal
<b>RE1 COM</b>	Relay 1, common terminal
<b>RE2 NO</b>	Relay 2, normally open terminal
<b>RE2 COM</b>	Relay 2, common terminal