



Carbon Monoxide Detector-Transmitter E2648-CO



Features

- Accurate and stable measurement
- Industrial IP66 wall mount housing
- Two analog outputs settable to 4-20 mA or 0-10 V
- RS485 Modbus RTU digital interface
- Two relays for alarm / ventilation control (option)
- Attached or remote sensor

Specifications

| | |
|-------------------------|--|
| Calibration | Carbon monoxide CO |
| Sensor type | Electrochemical |
| Sampling method | Diffusion |
| Typical detection range | 0...300 ppm 0...1000 ppm |
| Maximum overload | 2000 ppm |
| Resolution | 1 ppm |
| Repeatability | < ± 5 % |
| Response time T90 | < 30 s |
| Sensor lifetime | > 10 years |
| Maintenance interval | 12 months |
| Signal update | Every 1 second |
| Self-diagnostics | Full functionality check at start-up |
| Warm-up time | ≤ 1 min |
| Power supply | 12...36 VDC (default) 24 VAC or 230 VAC as options |
| Power consumption | < 2 VA |
| Digital interface | RS485, Modbus RTU protocol |
| Analog outputs | 2 × 4-20 mA / 0-10 V, user settable |
| Output scale width | Recommended: 20-100% of the range; > 10 × resolution in any case |
| Enclosure | Die-cast aluminium, wall mount, protection class IP66 |
| Dimensions | H120 × W125 × D57 mm |
| Operating environment | Industrial indoor and outdoor locations |
| Operating conditions | -20...+50 °C, 0.9...1,1 atm 0...90% RH non condensing Explosion-safe areas Non-aggressive atmosphere NOTE! We offer technical solutions for extreme humidity, please ask for more information |

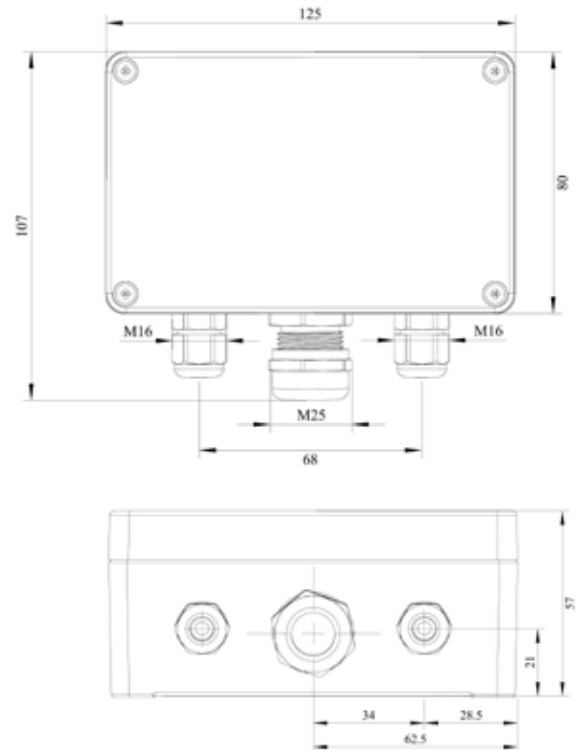
Relay option (ordering code R)

| | |
|-------------------------|---|
| Output relays | 2 × SPST relays (closing contact), 250 VAC / 30 VDC, 5 A max |
| Default alarm setpoints | RE1 (LOW): set 25; release 20 ppm RE2 (HIGH): set 35; release 28 ppm |

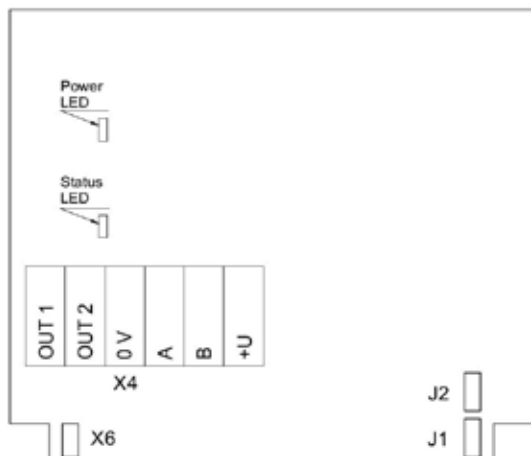
Other options

| | |
|---------------------|---|
| Remote sensor probe | Protection IP65, shielded cable default cable length 3.0 m |
|---------------------|---|

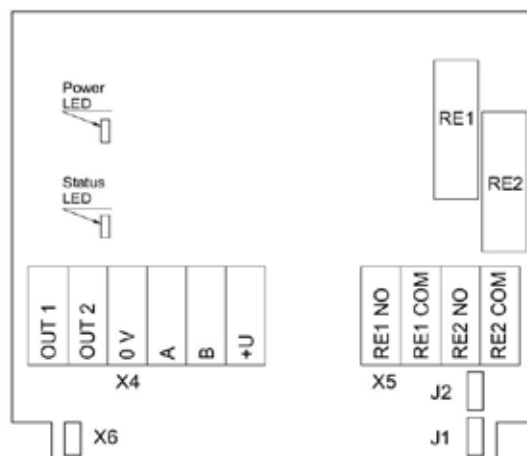
Dimensions



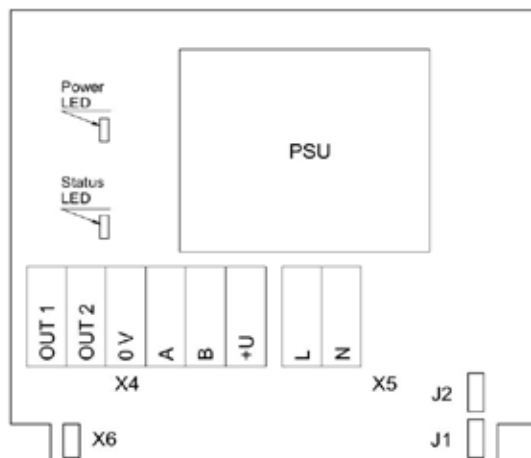
Connection diagrams



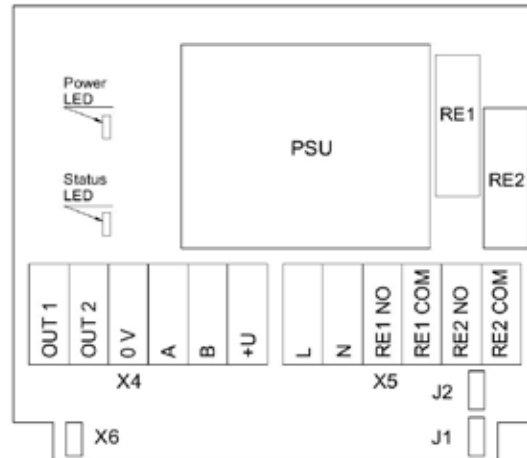
Version without PSU and relays



Version without PSU and with relays



Version with PSU and without relays



Version with PSU and relays

Jumpers

- J1 OUT1 type (open: 4-20 mA; closed 0-10 V)
- J2 OUT2 type (open: 4-20 mA; closed 0-10 V)
- X6 Reset Modbus network parameters to default

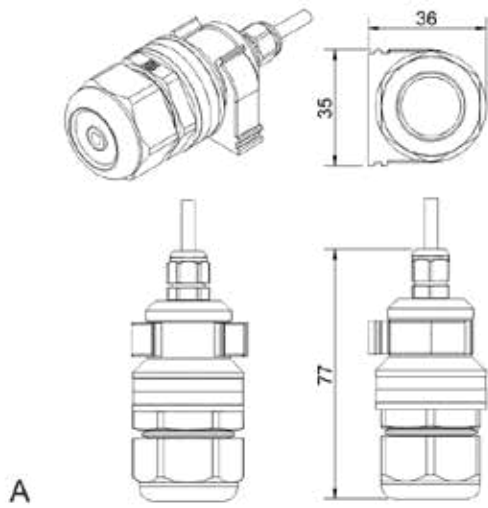
X4 terminals

- OUT1 4-20 mA / 0-10 V output
- OUT2 4-20 mA / 0-10 V output
- 0V 0 V / 24 VAC Neutral (optional)
- A RS485 A / Data +
- B RS485 B / Data -
- +U +24 VDC / 24 VAC Phase (optional)

X5 terminals (optional)

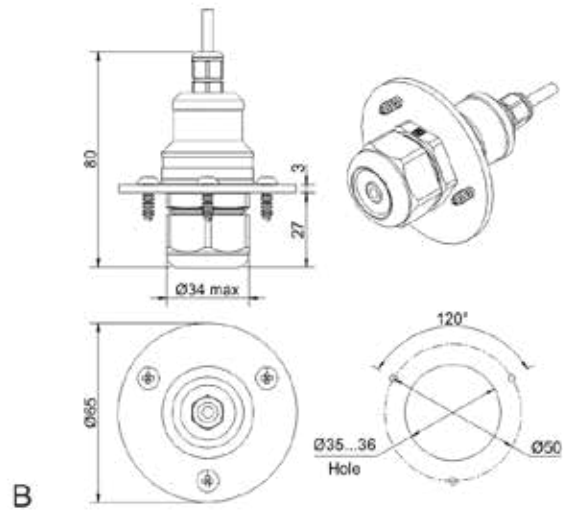
- L 90...265 VAC Phase
- N 90...265 VAC Neutral
- RE1 NO Relay 1, normally open terminal
- RE1 COM Relay 1, common terminal
- RE2 NO Relay 2, normally open terminal
- RE2 COM Relay 2, common terminal

Remote probe



A

Wall mount remote probe with fixing clamp (default version)



B

Remote probe with rubber flange and three self-tapping screws (on request)