

ORDER IT!

Ordering is Easy! See Page D-9.
Easy online ordering too!

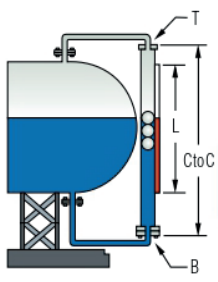
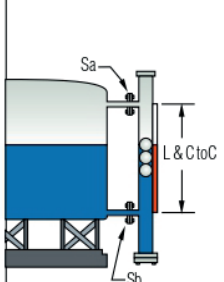
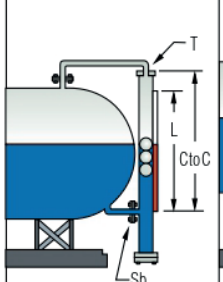
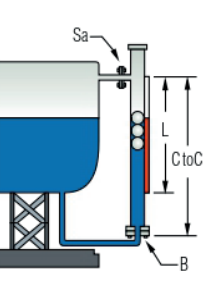
Standard Alloy Versions – Standard Size

- ▶ Temperatures to 750°F (399°C)
- ▶ Pressures to 700 psi (48 bar)

Rugged, welded construction makes these 2-1/2" (63.5 mm) diameter design, alloy SureSite Indicators dependable over a long service life indoors and out.

1. Mounting Configuration Types

To choose the best configuration for your application, focus on the process connections (connections where the liquid typically enters/leaves the SureSite).

	Type AA	Type BA	Type CA	Type DA
	Top and Bottom Process Connections	Side and Side Process Connections	Top and Side Process Connections	Side and Bottom Process Connections
				
Typical Lengths*	C to C = L + 10-1/4" (260.4 mm)	C to C = L	C to C = L + 3-3/4" (95.2 mm)	C to C = L + 6-1/2" (165.1 mm)
Flag Material	Plastic (300°F / 148.9°C) or Aluminum (750°F / 399°C)			
Length of Indication (Uninterrupted)	240" (610 cm)			
Minimum Specific Gravity	0.39			

L = Length of Visual Indication


* Dimensions vary due to connections, material and specific gravity.

Note: Additional materials, floats, connections and manufacturing techniques are available to extend lengths and operational capabilities. Please contact GEMS Sensors if the parameters above do not meet your requirements.

2. Material

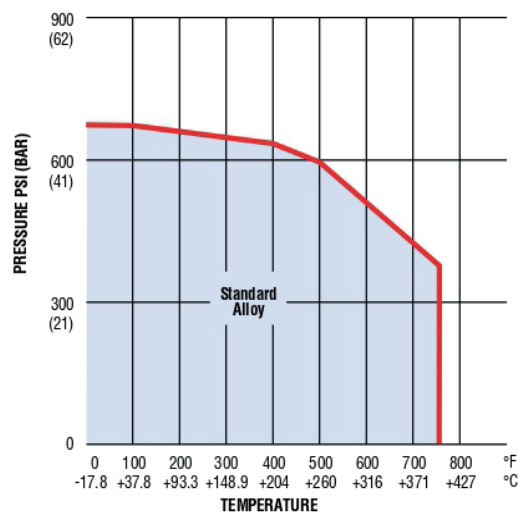
Housing and Float: 316 Stainless Steel

Pressure/Temperature performance parameters for alloy SureSite versions are specified in the chart at right. Please consult the factory with temperature/pressure requirements that fall outside the parameters shown here.

 = Stock Material (Best economy and delivery).

Materials		Code
Housing	Float	
316L Stainless Steel	316L Stainless Steel	2
Carpenter 20	Hastelloy C276	3*
Hastelloy C276	Hastelloy C276	4*

* Consult factory for pressure/temperature capabilities.



Note: SureSite Indicators are available for temperatures as low as -200°F (-129°C).

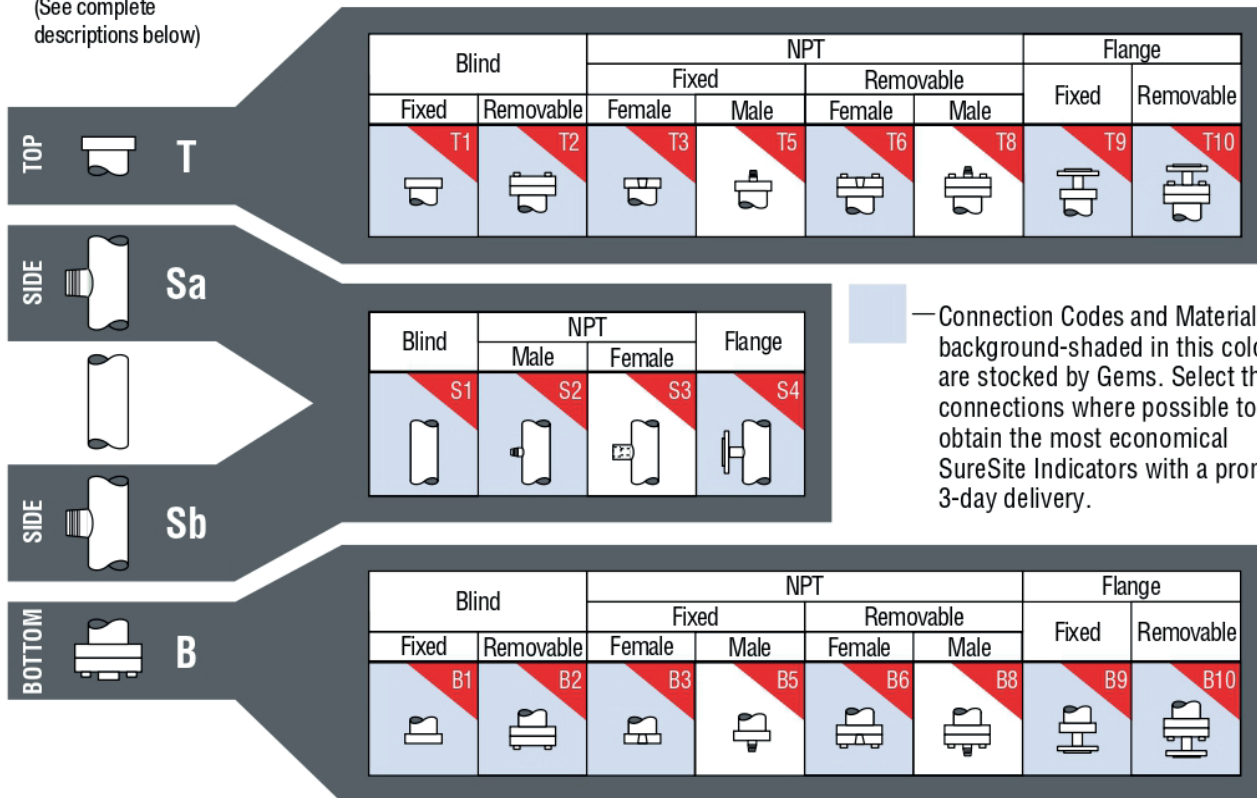


Type BA Shown

LEVEL INDICATORS – VISUAL

3. Connection Codes

(See complete descriptions below)



— Connection Codes and Materials background-shaded in this color are stocked by Gems. Select these connections where possible to obtain the most economical SureSite Indicators with a prompt 3-day delivery.

Connection Code Descriptions

Please provide all connections when completing the Order!! Product Check List (located on the following page).

Note: Before selecting your connections, consider incorporating your vent and drain requirements.

T & B (Top and Bottom)

- T/B 1. Welded pipe cap
- T/B 2. Standard fixed flange/blind mating flange
- T/B 3. Welded pipe cap w/FNPT
- T/B 5. Welded pipe cap w/MNPT nipple
- T/B 6. Standard fixed flange/mating FNPT reducing flange
- T/B 8. Standard fixed flange/mating flange with MNPT nipple
- T/B 9. Welded pipe cap with ANSI flange
- T/B 10. Standard fixed flange/mating reducing flange spool

Sa & Sb Sides

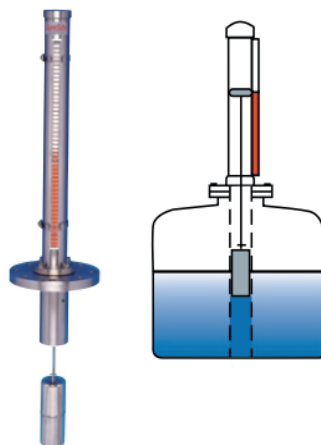
- S1. No connection
- S2. MNPT nipple
- S3. FNPT coupling
- S4. ANSI flange



Need it quick? Choose materials and components with the color shading for 3-Day manufacturing and shipping. See the Product Configurator section at www.gemssensors.com for further details.

Top Mount Units

When it's not practical to access the side of a tank for liquid monitoring, look to SureSite Top Mount Indicators for the solution. Please consult with the factory for these specially configured indicators **1-800-378-1600**.



Accessories – Pages D-13 to D-15

Make more of your SureSite® Indicator with the productivity-enhancing accessories found at the end of this section.

- **Indicating Scales**
Add graduations to your flag indication.
- **Switch Modules**
Control pumps, valves, alarms, etc. Mount externally on housing for infinite positioning.
- **Continuous Output Transmitters**
Signal conditioned for compatibility with most electronic instruments to 300°F (149°C).