

## Display Recorders

### Product Overview

#### Overview

##### **Comprehensive range for all requirements**

SIREC process recorders are used in many industries. The SIREC D spectrum covers all important industries and areas - including environmental protection. Whether continuous monitoring of process parameters, system maintenance, process optimization or troubleshooting; the wide range of SIREC D products accommodates every requirement and delivers impressive performance along the entire production line.

##### **SIREC D Display recorders**

|                             | SIREC D200   | SIREC D300   | SIREC D400   |
|-----------------------------|--|--|--|
|                             |                       |                           |                   |
| <b>Description</b>          | The SIREC D200 is a competitive display recorder in 144 mm x 144 mm format with 5.7" color TFT-display | The SIREC D300 is a multifunctional display recorder in 144 mm x 144 mm format with 5.7" color TFT-display | The SIREC D400 is a high-end display recorder in 300 mm x 300 mm format with 12.1" color TFT-display |
| <b>Channels</b>             | From 3 to 12 analog channels and up to 8 digital channels  | From 8 to 16 analog channels and up to 16 digital channels   | From 16 to 48 analog channels and up to 48 digital channels  |
| <b>Format</b>               | 144 mm x 144 mm  | 144 mm x 144 mm  | 300 mm x 300 mm  |
| <b>Display</b>              | 5.7" color TFT-display   | 5.7" color TFT-display   | 12.1" color TFT-display  |
| <b>Weight</b>               | About 3.2 kg   | Max. 3.5 kg  | Max. 10 kg   |
| <b>Type of protection</b>   | IP54 (NEMA 3)  | IP54 (NEMA 3)  | IP54 (NEMA 3)  |
| <b>Data buffer (intern)</b> | 1 GByte (optional 2 GByte)   | 1 GByte up to 4 GByte  | 1 GByte up to 4 GByte  |
| <b>Data buffer (extern)</b> | Via USB Interface  | Via USB Interface or by SD card  | Via USB Interface or by SD card  |
| <b>Sampling rate</b>        | 100 (optional)/200/500 ms for all channels   | 20 (optional)/100/200/500 ms for all channels  | 20 (optional)/100/200/500 ms for all channels  |
| <b>Interface</b>            | Ethernet TCP/IP  | Ethernet, RS 485 Modbus, USB, slot for SD card   | Ethernet, RS 485 Modbus, USB, slot for SD card   |
| <b>Operation</b>            | Touch-Screen with rapid navigation   | Touch-Screen with rapid navigation   | Touch-Screen with rapid navigation   |
| <b>Configuration</b>        | On device or by way of SIREC D Manager or Server-Software  | On device or by way of SIREC D Manager or Server-Software  | On device or by way of SIREC D Manager or Server-Software  |
| <b>Password protection</b>  | Up to 4 levels with up to 50 different users available   | Up to 4 levels with up to 50 different users available   | Up to 4 levels with up to 50 different users available   |
| <b>Options</b>              | Firmware options individual selectable by a flexible creditsystem                                      | Firmware options individual selectable by a flexible creditsystem  | Firmware options individual selectable by a flexible creditsystem                                    |

##### **SIREC D Software**

Various high-performance software packages are available as options for parameter setting, real-time display and storing, evaluation, analyzing and archiving.

##### SIREC D-Viewer (included in the scope of supply)

- Import of offline data from e.g. USB media and evaluating
- Display and printing of the imported data

##### SIREC D-Manager

- Offline data analysis of stored data
- Display, export and printing of imported data
- Archiving of measurement data

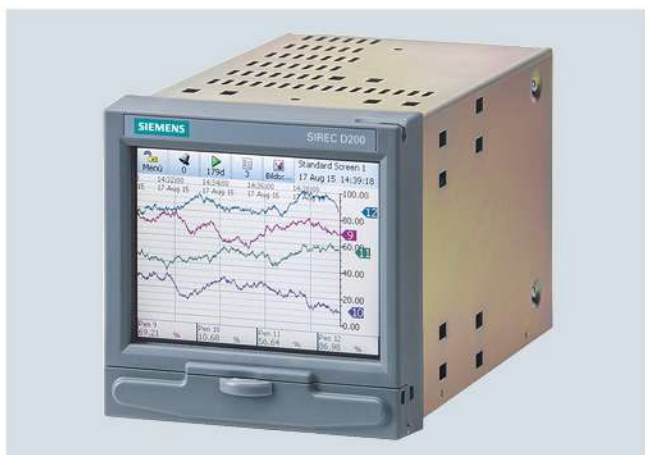
##### SIREC D-Server

- Network-compatible software package for connection of an unlimited number of recorders
- Communication via Ethernet/TCP/IP
- Real-time or FTP data transfer
- Display, export (CSV files) and printing of measurement data
- Archiving of measurement data

##### SIREC D-Designer

- Customized displays for SIREC D300 and SIREC D400
- Customer specific and application related
- Customized display combinations with bar graphs, trends, digitals

## Overview



### Crystal Clear Display

- 5.7" Digital Colour LCD (TFT)
- QVGA Resolution (320 x 240 pixels)
- Clear and intuitive operation
- Industrial rugged Touch Screen with rapid navigation

### Comprehensive Connectivity

- 10/100 Ethernet (DHCP), web and e-mail
- FTP and TCP/IP
- Front USB port as standard for keyboard and mouse. Optional SD Card slot.

### Data Storage

- On-board non-volatile memory - up to 2 GByte
- Removable USB storage
- No moving parts - all solid state Flash memory

### Security Stringent - Total Data integrity

- Password Protection - 21CFR Part 11
- ESS - Extended Security System
- Password Network Synchronization

### Plus..

- Health Watch for preventative maintenance
- Remote Access - Advanced Software Data Analysis at your PC
- Independent Chart and Logging speeds
- Global Language Support
- Rapid review and replay of data at recorder
- Approvals - CE
- NEMA 4X/IP66 (option)
- Up to 10 Hz (100 ms) Logging (including expansion card option)
- Up to 12 Analog Inputs
- Remote Viewing Tool
- 4 Pulse Inputs via the Digital I/O card (option)
- Concurrent Batch mode
- AMS2750 Process Capabilities

## Function

### Display

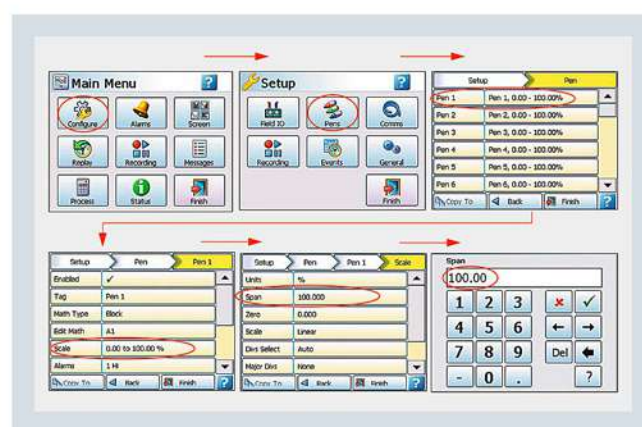
#### 5.7" Colour Active TFT

With more than 256 000 colours makes it easy to interpret process data and take action with the intuitive bar charts, digital values, trends or trends displays. A screen saver function can be set from 1 to 720 minutes to extend the life of the backlight.

#### Touch Screen

The heavy duty durable touch screen provides easy data entry and rapid navigation through the menus. The touch screen operator interface provides fast, easy access to the recorder menus making set up and data analysis quick and efficient.

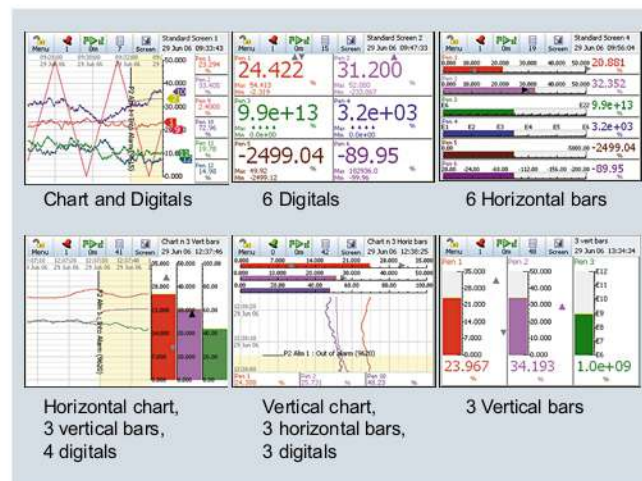
Navigation through the menus and text entry are direct and intuitive:



Example of a recorder menu path from the Main Menu to Pen Scale configuration with clear and rapid navigation

### Standard Screens

Up to 12 screens displaying multiple combinations of Charts, Bars and Digitals can be configured, 6 examples below.



### Help Files

A complete contextual help system can be accessed and visualised on the screen of the recorder.



## Display Recorders

### SIREC D200

#### Options

##### Options - Hardware

##### Alarm Card

- 4 or 8 outputs relay contacts SPCO 240 V
- 8 Digital I/O - SPNO 24 V DC
- Programmable alarm set points can be configured to activate up to 8 outputs

##### Portable Recorders

- Portable cases available as an accessory item

##### Digital Input

Two digital input options are available:

- 2 inputs on 8 channel Alarm card,
  - 8 inputs on Digital I/O card.
- The digital inputs allow users to initiate, from a remote location via a dry contact closure, selected recorder functions.

##### 24 V AC/DC Power Supply

- 12 to 30 V DC
- 12 to 20 V AC

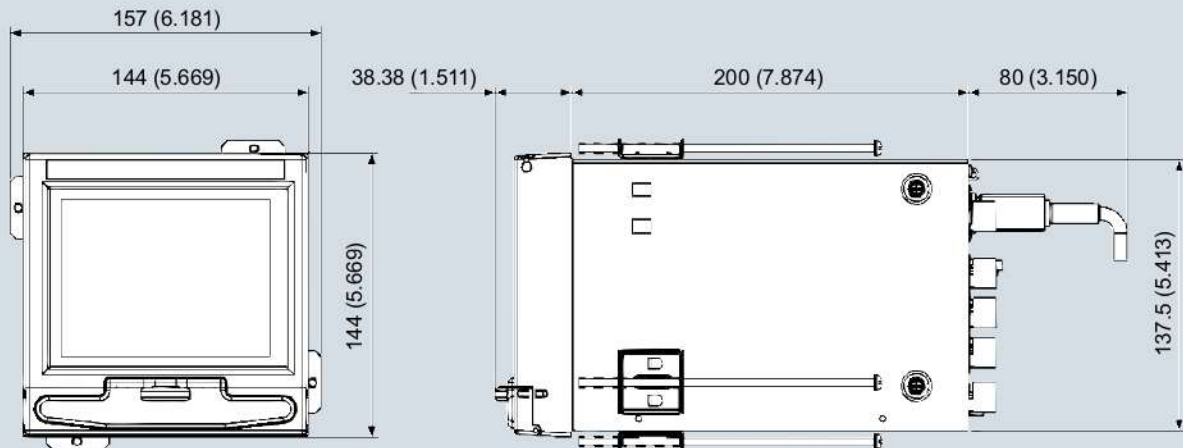
##### 24 V DC Transmitter Power Supply

- Can supply up to 130 mA to external transmitters.

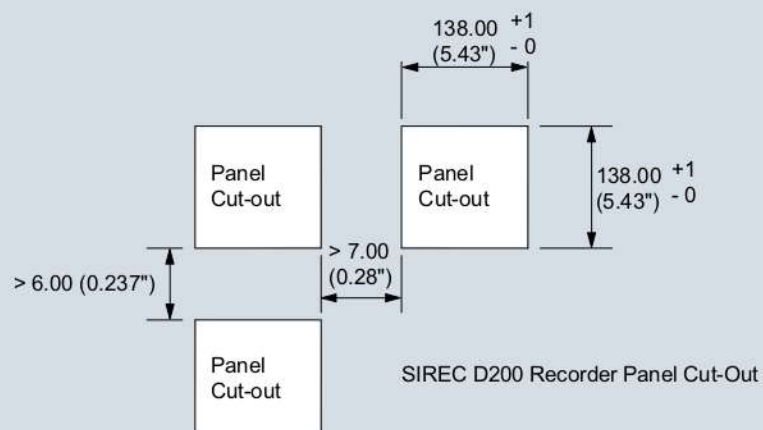
##### Print Support

- Network printing from status, message and replay screens. Plus screen capture facility of process screens instantly using a basic USB standard PCL printer.

#### Dimensional drawings

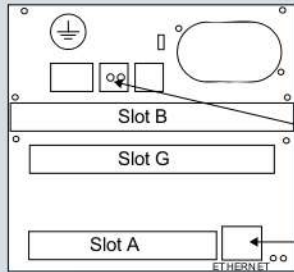


Two mounting brackets are supplied as standard



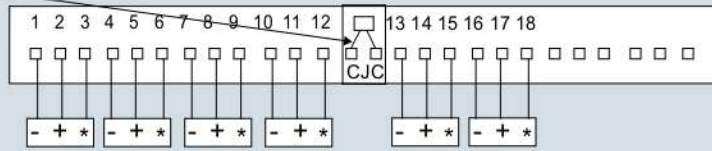
SIREC D200, dimensions in mm (inch) and panel cut-out

**Schematics**

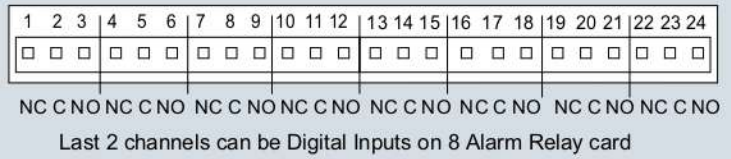


**CJC Connector position**

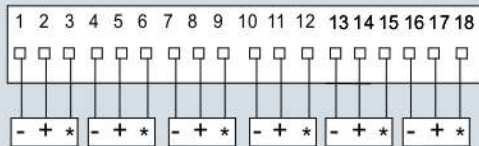
**Analogue Input 3 and 6 channel expansion (option) - Slots B**



**4 and 8 Relay Alarm (option) - Slot G**

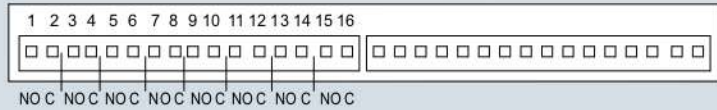


**Analogue Input 3 and 6 channel - Slots A**



**Key: NO = Normally Open , C = Common, NC = Normally Closed**

**8 Digital Input/Output (option) - Slot G**



SIREC D200 - Terminal assignments and power requirements (rear of unit)

**More information**

Additional information is available in the Internet under:

<http://www.siemens.com/sirec>