

Overview



SITRANS LC300 is an inverse frequency shift capacitance continuous level transmitter for liquid, interface, and solid applications. It is ideal for standard industrial applications in chemical, hydrocarbon processing, food and beverage, water, wastewater, mining, aggregate, and cement industries.

Benefits

- Active-Shield technology so measurement is unaffected by material buildup in active shield section
- Highly accurate and reliable PFA-lined probes
- Integrated local LCD display
- 2-wire (4 to 20 mA) current loop design
- Current signaling according to NAMUR NE 43
- Push-button calibration and programming
- Stilling well (ground tube) version for low dielectric media, agitated materials, and non-metallic vessels

Application

SITRANS LC300 is a 2-wire level measurement instrument combining a sophisticated, yet easy-to-adjust microprocessor with field-proven probes. It is available in four versions: rod, rod with stilling well, cable with PFA insulation, and cable without PFA insulation.

Materials with low or high dielectric properties are accurately measured and Active-Shield technology helps in ignoring the effects of buildup or condensation near vessel nozzle.

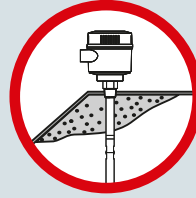
- Key Applications: conductive ($dK \geq 20$) and non-conductive ($dK < 20$) media including: liquids and solids in standard industrial processes, bulk solids applications involving dust, and chemical processes involving vapor

Probe Applications

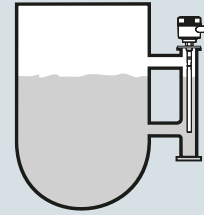
Rod version	Conductive liquids, slurries or solids
Rod version with stilling well	<ul style="list-style-type: none"> • Conductive liquids or slurries in non-conductive tanks • Non-conductive liquids in non-conductive tanks • Tanks with agitation or turbulent liquids • Liquids with a dielectric constant below 2 • Non-linear tanks, such as parabolic or spherical tanks • Interface measurements
Cable version	Non-conductive solids or liquids
PFA coated cable version	Conductive or sticky liquids, slurries or solids

Configuration

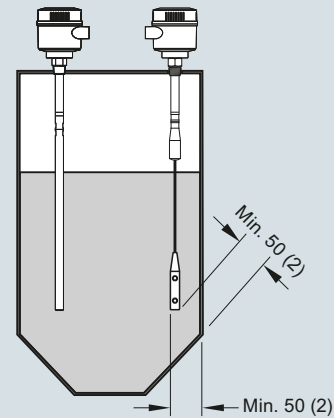
Installation



Build up of material in active shield area does not affect switch operation.



Mounting on a bypass



Install probe at least 50 (2) from tank wall.
Note angle of repose and adjust accordingly.

SITRANS LC300 installation, dimensions in mm (inch)

Level measurement

Continuous level measurement
Capacitance transmitters

SITRANS LC300

Technical specifications

Input	
Measuring range	1.66 ... 3 300 pF
Span	Min. 3.3 pF
Output	
Loop current	Continuous signal 4 ... 20 mA/20 ... 4 mA according to NAMUR 43
Accuracy (transmitter)	
Temperature stability	0.25 % of actual capacitance value
Non-linearity and repeatability	< 0.4 % of full scale and actual measurement value
Accuracy	Deviation < 0.5 % of actual measurement value
Rated operating conditions¹⁾	
Ambient conditions	
• Ambient temperature	-40 ... +85 °C (-40 ... +185 °F) ²⁾³⁾
• Storage temperature	-40 ... +85 °C (-40 ... +185 °F)
• Installation category	I
• Pollution degree	4
• Ingress protection	Type 4/NEMA 4/IP65 (optional IP68)
Installation conditions	
• Location	Indoor/outdoor
• Process pressure	-1 ... +35 bar g (-14.6 ... +511 psi g)
• Process temperature	-40 ... +200 °C (-40 ... +392 °F) ⁴⁾
• Min. dielectric constant ϵ_r	1.5
• Min. difference in dielectric constant for interface measurement	5
Design	
Material	
• Enclosure	Aluminum, epoxy-coated
Probe diameter	
• Rod version	19 mm (0.75 inch) with PFA jacket
• Cable version	9 mm (0.35 inch) with PFA jacket, 6 mm (0.24 inch) without PFA jacket
Active shield length	
• Rod version	Threaded: 120 mm (4.72 inch) Flanged: 100 mm (3.94 inch)
• Cable version	Threaded: 125 mm (4.92 inch) Flanged: 105 mm (4.13 inch)
Process connection of probe	
• Threaded rod mounting	$\frac{3}{4}$ ", 1", 1 $\frac{1}{4}$ ", 1 $\frac{1}{2}$ " NPT [(Taper), ANSI/ASME B1.20.1] R $\frac{3}{4}$ ", 1", 1 $\frac{1}{2}$ " [(BSPT), EN 10226/PT (JIS-T), JIS B 0203] G $\frac{3}{4}$ ", 1", 1 $\frac{1}{2}$ " [(BSPP), EN ISO 228-1/PF (JIS-P), JIS B 0202]
• Threaded cable mounting	1 $\frac{1}{2}$ " NPT [(Taper), ANSI/ASME B1.20.1] R 1 $\frac{1}{2}$ " [(BSPT), EN 10226/PT (JIS-T), JIS B 0203] G 1 $\frac{1}{2}$ " [(BSPP), EN ISO 228-1/PF (JIS-P), JIS B 0202]
• Flange mounting	1 ... 4" ASME, DN 25 ... 100
Enclosure cable inlet	2 x $\frac{1}{2}$ " NPT or 2 x M20 x 1.5

Power supply	12 ... 30 V DC any polarity, 2-wire current loop circuit
User Interface	
Display	Local LCD, 4 digit, each 0 ... 9 and limited alpha characters
Safety	
Measurement current signaling	According to NAMUR NE 43, signal 3.8 ... 20.5 mA, fault ≤ 3.6 or ≥ 21 mA (22 mA)
Certificates and approvals	
General	CE, CSA _{US/C} , FM, RCM, KCC, EAC
Dust Ignition Proof (Intrinsically Safe probe circuit)	• Canada/USA FM/CSA: Class II, Div. 1, Groups E, F, G Class III T4 ATEX $\frac{1}{2}$ D T100 °C
• Europe	
Flame Proof (Intrinsically Safe probe circuit)	ATEX II $\frac{1}{2}$ G EEx d [ia] IIC T6 ... T1 ATEX II $\frac{1}{2}$ D T100 °C
• Europe	
• Brazil	Ex d [ia Ga] IIC T6 ... T4 Gb Ex tb IIIC T85 °C ... T100 °C Db IP65/IP68 EAC Ex
• Russia/Kazakhstan	
Explosion Proof (Intrinsically Safe probe circuit)	Class I, Div. 1, Groups A, B, C, D Class II, Div. 1, Groups E, F, G Class III T4
• Canada/USA	
Marine	ABS Type Approval, Lloyds Register
Overfill Protection	AIB-Vincotte
Other	Pattern Approval (AQSIQ, China), CRN, PED

1) When operation is in areas classified as hazardous, observe restrictions according to relevant certificate. See also Pressure/Temperature curves on page 5/16.

2) Thermal isolator is used if process connection temperature exceeds 85 °C (185 °F)

3) Minimum voltage of 15 V DC is required for use at -40 °C (-40 °F)

4) Not suitable for steam environments

Design: Probe

	Rod version	Stilling well version	Cable version
Length	Min. 300 mm (12 inch), max. 5 000 mm (197 inch)	Min. 300 mm (12 inch), max. 5 000 mm (197 inch)	Min. 1 000 mm (40 inch), max. 25 000 mm (984 inch)
Sensor wetted parts	PFA, 316L stainless steel	PFA, 316L stainless steel	316L stainless steel or 316L stainless steel with PFA insulation
O-ring seal material	FKM or FFKM	FKM or FFKM	FKM or FFKM
Thermal isolator	Optional	Optional	Optional
Options	N/A	N/A	Mounting eye for PFA insulated cable version

Selection and ordering data	Article No.	Article No.	
SITRANS LC300 Capacitance level transmitter, rod design Continuous, contact, monitors level or interface in liquids or solids. Extension options up to 5 m (16.40 ft). Click on the Article No. for the online configuration in the PIA Life Cycle Portal.	7ML5670- - - - - - 0	7ML5670- - - - - - 0	
Process connection Threaded, 316L stainless steel ¾" NPT [(Taper), ANSI/ASME B1.20.1] 1" NPT [(Taper), ANSI/ASME B1.20.1] 1¼" NPT [(Taper), ANSI/ASME B1.20.1] 1½" NPT [(Taper), ANSI/ASME B1.20.1] R ¾" [(BSPT), EN 10226/PT (JIS-T), JIS B 0203] R 1" [(BSPT), EN 10226/PT (JIS-T), JIS B 0203] R 1½" [(BSPT), EN 10226/PT (JIS-T), JIS B 0203] G ¾" [(BSPP), EN ISO 228-1/PF (JIS-P), JIS B 0202] G 1" [(BSPP), EN ISO 228-1/PF (JIS-P), JIS B 0202] G 1½" [(BSPP), EN ISO 228-1/PF (JIS-P), JIS B 0202] Welded flange, 316L stainless steel, raised face ¹⁾ 1" ASME, 150 lb 1" ASME, 300 lb 1" ASME, 600 lb 1½" ASME, 150 lb 1½" ASME, 300 lb 1½" ASME, 600 lb 2" ASME, 150 lb 2" ASME, 300 lb 2" ASME, 600 lb 3" ASME, 150 lb 3" ASME, 300 lb 3" ASME, 600 lb 4" ASME, 150 lb 4" ASME, 300 lb 4" ASME, 600 lb Welded flange, 316L stainless steel, Type A flat faced ¹⁾ DN 25, PN 16 DN 25, PN 40 DN 40, PN 16 DN 40, PN 40 DN 50, PN 16 DN 50, PN 40 DN 80, PN 16 DN 80, PN 40 DN 100, PN 16 DN 100, PN 40 Sanitary, hastelloy, duplex or other custom process connections available. Please contact a local sales person for details. For more information, please visit http://www.automation.siemens.com/aspa_app .	0 A 0 B 0 C 0 D 1 A 1 B 1 D 3 A 3 B 3 D 5 A 5 B 5 C 5 D 5 E 5 F 5 G 5 H 5 J 5 K 5 L 5 M 5 N 5 P 5 Q 6 A 6 B 6 C 6 D 6 E 6 F 6 G 6 H 6 J 6 K	SITRANS LC300 Capacitance level transmitter, rod design Continuous, contact, monitors level or interface in liquids or solids. Extension options up to 5 m (16.40 ft). Probe Length (from flange face or including process thread) Add Order code Y01 and plain text: "Insertion length ... mm" 300 ... 1 000 mm (11.81 ... 39.37 inch) 1 001 ... 2 000 mm (39.41 ... 78.74 inch) 2 001 ... 3 000 mm (78.78 ... 118.11 inch) 3 001 ... 4 000 mm (118.15 ... 157.48 inch) 4 001 ... 5 000 mm (157.52 ... 196.85 inch) Bent probes also available. Please contact a local sales person for details. For more information, please visit http://www.automation.siemens.com/aspa_app . Thermal isolator Without thermal isolator With thermal isolator [for process connection temperatures over 85 °C (185 °F)] Wetted seals FKM FFKM [for process temperatures above -20 °C (4 °F) ²⁾] Probe material 19 mm (0.75 inch) diameter 316L stainless steel, PFA lined rod Approvals General Safety (CSA, FM, CE, RCM) Dust Ignition Proof With IS Probe CE, RCM, ATEX II 1/2 D T100 °C Flame Proof Enclosure With IS Probe CE, RCM, ATEX II 1/2 G EEx d [ia] IIC T6 ... T1, ATEX II 1/2 D T100 °C Dust Ignition Proof With IS Probe CSA/FM Class II, Div. 1, Groups E, F, G CSA/FM Class III T4 Explosion Proof Enclosure With IS Probe CSA/FM Class I, Div. 1, Groups A, B, C, D CSA/FM Class II, Div. 1, Groups E, F, G CSA/FM Class III T4 Enclosure Aluminum epoxy coated 2 x ½" NPT via adapter - cable inlet, IP65 Aluminum epoxy coated 2 x M20 x 1.5 cable inlet, IP65 Aluminum epoxy coated 2 x ½" NPT via adapter - cable inlet, IP68 Aluminum epoxy coated 2 x M20 x 1.5 cable inlet, IP68 Stainless steel, contact local sales person for details. For more information, please visit http://www.automation.siemens.com/aspa_app	A B C D E 0 1 0 1 0 0 A B C D E A B C D

¹⁾ Flange bolting patterns and facings dimensionally correspond to the applicable ASME B16.5 or EN 1092-1 standard.

²⁾ Not available with FM approvals.

Level measurement

Continuous level measurement
Capacitance transmitters

SITRANS LC300**Selection and ordering data****Order code***Further designs*

Please add **"-Z"** to Article No.
and specify Order code(s).

Insertion length, specify in plain text: Y01: ... mm

Y01

Stainless steel tag [70 x 13 mm (2.75 x 0.5 inch)]:
Measuring-point number/identification
(max. 27 characters) specify in plain text

Y15

Manufacturer's Test Certificate: M to DIN 55350,
Part 18 and to ISO 9000

C11

Material inspection Certificate Type 3.1 per
EN 10204

C12

INMETRO¹⁾

E34*Operating Instructions*

All literature is available to download for free, in a
range of languages, at

<http://www.siemens.com/processinstrumentation/documentation>

Accessories

Electronic transmitter kit
(includes transmitter and driver)

Article No.

7ML1830-1KN

SITRANS RD100, loop powered display -
see Chapter 7

7ML5741-.....-

SITRANS RD150, remote digital display for
4 ... 20 mA and HART devices - see Chapter 7

7ML5742-.....-....

SITRANS RD200, universal input display with
Modbus conversion - see Chapter 7

7ML5740-.....-..

SITRANS RD300, dual line display with totalizer and
linearization curve and Modbus conversion -
see Chapter 7

7ML5744-.....-..

For applicable back up point level switch -
see point level measurement section

¹⁾ Available only with Approvals options A and B.

Selection and ordering data	Article No.	Article No.
<p>SITRANS LC300 Capacitance level transmitter, stilling well design</p> <p>Continuous, contact, monitors level or interface in liquids. Extension options up to 5 m (16.40 ft).</p> <p>➤ Click on the Article No. for the online configuration in the PIA Life Cycle Portal.</p>	7ML5671- - - - - - 0	7ML5671- - - - - - 0
<p>Process connection</p> <p>Threaded, 316L stainless steel</p> <p>1½" NPT [(Taper), ANSI/ASME B1.20.1] 0 D</p> <p>R 1½" [(BSPT), EN 10226/PT (JIS-T), JIS B 0203] 1 D</p> <p>G 1½" [(BSPP), EN ISO 228-1/PF (JIS-P), JIS B 0202] 3 D</p> <p><u>Welded flange, 316L stainless steel, raised face¹⁾</u></p> <p>1½" ASME, 150 lb 5 D</p> <p>1½" ASME, 300 lb 5 E</p> <p>1½" ASME, 600 lb 5 F</p> <p>2" ASME, 150 lb 5 G</p> <p>2" ASME, 300 lb 5 H</p> <p>2" ASME, 600 lb 5 J</p> <p>3" ASME, 150 lb 5 K</p> <p>3" ASME, 300 lb 5 L</p> <p>3" ASME, 600 lb 5 M</p> <p>4" ASME, 150 lb 5 N</p> <p>4" ASME, 300 lb 5 P</p> <p>4" ASME, 600 lb 5 Q</p> <p><u>Welded flange, 316L stainless steel, Type A flat faced¹⁾</u></p> <p>DN 40, PN 16 6 C</p> <p>DN 40, PN 40 6 D</p> <p>DN 50, PN 16 6 E</p> <p>DN 50, PN 40 6 F</p> <p>DN 80, PN 16 6 G</p> <p>DN 80, PN 40 6 H</p> <p>DN 100, PN 16 6 J</p> <p>DN 100, PN 40 6 K</p> <p>Sanitary, hastelloy, duplex or other custom process connections available.</p> <p>Please contact a local sales person for details. For more information, please visit http://www.automation.siemens.com/aspas_app.</p> <p>Probe Length (from flange face or including process thread)</p> <p><u>Add Order code Y01 and plain text: "Insertion length ... mm"</u></p> <p>300 ... 1 000 mm (11.81 ... 39.37 inch) A</p> <p>1 001 ... 2 000 mm (39.41 ... 78.74 inch) B</p> <p>2 001 ... 3 000 mm (78.78 ... 118.11 inch) C</p> <p>3 001 ... 4 000 mm (118.15 ... 157.48 inch) D</p> <p>4 001 ... 5 000 mm (157.52 ... 196.85 inch) E</p> <p>Thermal isolator</p> <p>Without thermal isolator 0</p> <p>With thermal isolator [for process connection temperatures over 85 °C (185 °F)] 1</p> <p>Wetted seals</p> <p>FKM 0</p> <p>FFKM [for process temperatures above -20 °C (4 °F)]²⁾ 1</p> <p>Probe material</p> <p>35 mm (1.38 inch) diameter stilling well, with 19 mm (0.75 inch) diameter 316L stainless steel, PFA lined rod with PTFE spacers 1</p>		<p>SITRANS LC300 Capacitance level transmitter, stilling well design</p> <p>Continuous, contact, monitors level or interface in liquids. Extension options up to 5 m (16.40 ft).</p> <p>Approvals</p> <p>General Safety (CSA, FM, CE, RCM) A</p> <p>Dust Ignition Proof With IS Probe CE, RCM, ATEX II 1/2 D T100 °C B</p> <p>Flame Proof Enclosure With IS Probe CE, RCM, ATEX II 1/2 G EEx d [ia] IIC T6 ... T1, ATEX II 1/2 D T100 °C C</p> <p>Dust Ignition Proof With IS Probe CSA/FM Class II, Div. 1, Groups E, F, G CSA/FM Class III T4 D</p> <p>Explosion Proof Enclosure With IS Probe CSA/FM Class I, Div. 1, Groups A, B, C, D CSA/FM Class II, Div. 1, Groups E, F, G CSA/FM Class III T4 E</p> <p>Enclosure</p> <p>Aluminum epoxy coated 2 x ½" NPT via adapter - cable inlet, IP65 A</p> <p>Aluminum epoxy coated 2 x M20 x 1.5 cable inlet, IP65 B</p> <p>Aluminum epoxy coated 2 x ½" NPT via adapter - cable inlet, IP68 C</p> <p>Aluminum epoxy coated 2 x M20 x 1.5 cable inlet, IP68 D</p> <p>Stainless steel, please contact a local sales person for details.</p> <p>For more information, please visit http://www.automation.siemens.com/aspas_app.</p> <p>¹⁾ Flange bolting patterns and facings dimensionally correspond to the applicable ASME B16.5 or EN 1092-1 standard.</p> <p>²⁾ Not available with FM approvals.</p> <p>Further designs</p> <p>Please add "-Z" to Article No. and specify Order code(s).</p> <p>Insertion length, specify in plain text: Y01: ... mm Y01</p> <p>Stainless steel tag [70 x 13 mm (2.75 x 0.5 inch)]; Measuring-point number/identification (max. 27 characters) specify in plain text Y15</p> <p>Manufacturer's Test Certificate: M to DIN 55350, Part 18 and to ISO 9000 C11</p> <p>Material inspection Certificate Type 3.1 per EN 10204 C12</p> <p>INMETRO¹⁾ E34</p> <p>Operating Instructions</p> <p>All literature is available to download for free, in a range of languages, at http://www.siemens.com/processinstrumentation/documentation</p> <p>Accessories</p> <p>Electronic transmitter kit (includes transmitter and driver) Article No. 7ML1830-1KN</p> <p>SITRANS RD100, loop powered display - see Chapter 7 7ML5741-.....-</p> <p>SITRANS RD150, remote digital display for 4 ... 20 mA and HART devices - see Chapter 7 7ML5742-.....-</p> <p>SITRANS RD200, universal input display with Modbus conversion - see Chapter 7 7ML5740-.....-</p> <p>SITRANS RD300, dual line display with totalizer and linearization curve and Modbus conversion - see Chapter 7 7ML5744-.....-</p> <p>For applicable back up point level switch - see point level measurement section</p> <p>¹⁾ Available only with Approvals options A and B.</p>

Level measurement

Continuous level measurement
Capacitance transmitters

SITRANS LC300

Selection and ordering data

Article No.

Article No.

SITRANS LC300 Capacitance level transmitter, cable design

Continuous, contact, monitors level or interface in liquids or solids. Extension options up to 25 m (82.02 ft).

➤ Click on the Article No. for the online configuration in the PIA Life Cycle Portal.

Process connection

Threaded, 316L stainless steel

- 1½" NPT [(Taper), ANSI/ASME B1.20.1] **0 D**
- R 1½" [(BSPT), EN 10226/PT (JIS-T), JIS B 0203] **1 D**
- G 1½" [(BSPP), EN ISO 228-1/PF (JIS-P), JIS B 0202] **3 D**

Welded flange, 316L stainless steel, raised face¹⁾

- 1½" ASME, 150 lb **5 D**
- 1½" ASME, 300 lb **5 E**
- 1½" ASME, 600 lb **5 F**
- 2" ASME, 150 lb **5 G**
- 2" ASME, 300 lb **5 H**
- 2" ASME, 600 lb **5 J**
- 3" ASME, 150 lb **5 K**
- 3" ASME, 300 lb **5 L**
- 3" ASME, 600 lb **5 M**
- 4" ASME, 150 lb **5 N**
- 4" ASME, 300 lb **5 P**
- 4" ASME, 600 lb **5 Q**

Welded flange, 316L stainless steel, Type A flat faced¹⁾

- DN 40, PN 16 **6 C**
- DN 40, PN 40 **6 D**
- DN 50, PN 16 **6 E**
- DN 50, PN 40 **6 F**
- DN 80, PN 16 **6 G**
- DN 80, PN 40 **6 H**
- DN 100, PN 16 **6 J**
- DN 100, PN 40 **6 K**

Sanitary, hastelloy, duplex or other custom process connections available.

Please contact a local sales person for details. For more information, please visit http://www.automation.siemens.com/aspa_app.

Probe Length (from flange face or including process thread)

Add Order code Y01 and plain text: "Insertion length ... mm"

- 1 000 ... 2 000 mm (39.37 ... 78.74 inch) **A**
- 2 001 ... 4 000 mm (78.78 ... 157.48 inch) **B**
- 4 001 ... 6 000 mm (157.52 ... 236.22 inch) **C**
- 6 001 ... 8 000 mm (236.26 ... 314.96 inch) **D**
- 8 001 ... 10 000 mm (315.00 ... 393.70 inch) **E**
- 8 001 ... 10 000 mm (315.00 ... 393.70 inch) **F**
- 12 001 ... 14 000 mm (472.48 ... 551.18 inch) **G**
- 14 001 ... 16 000 mm (551.22 ... 629.92 inch)²⁾ **H**
- 16 001 ... 18 000 mm (629.96 ... 708.66 inch)²⁾ **J**
- 18 001 ... 20 000 mm (708.70 ... 787.40 inch)²⁾ **K**
- 20 001 ... 22 000 mm (787.44 ... 866.14 inch)²⁾ **L**
- 22 001 ... 24 000 mm (866.18 ... 944.88 inch)²⁾ **M**
- 24 001 ... 25 000 mm (944.92 ... 984.25 inch)²⁾ **N**

Thermal isolator

- Without thermal isolator **0**
- With thermal isolator [for process connection temperatures over 85 °C (185 °F)] **1**

Wetted seals

- FKM **0**
- FFKM [for process temperatures above -20 °C (4 °F)]³⁾ **1**

SITRANS LC300 Capacitance level transmitter, cable design

Continuous, contact, monitors level or interface in liquids or solids. Extension options up to 25 m (82.02 ft).

Probe material

Bare 316L stainless steel cable and 316L stainless steel cable weight, tinned copper crimp, PTFE backing ring, PEEK isolator and PFA lined active shield **0**

Approvals

- General Safety (CSA, FM, CE, RCM) **A**
- Dust Ignition Proof With IS Probe CE, RCM, ATEX II 1/2 D T100 °C **B**
- Flame Proof Enclosure With IS Probe CE, RCM, ATEX II 1/2 G EEx d [ia] IIC T6 ... T1, ATEX II 1/2 D T100 °C **C**
- Dust Ignition Proof With IS Probe CSA/FM Class II, Div. 1, Groups E, F, G CSA/FM Class III T4 **D**
- Explosion Proof Enclosure With IS Probe CSA/FM Class I, Div. 1, Groups A, B, C, D CSA/FM Class II, Div. 1, Groups E, F, G CSA/FM Class III T4 **E**

Enclosure

- Aluminum epoxy coated 2 x ½" NPT via adapter - cable inlet, IP65 **A**
- Aluminum epoxy coated 2 x M20 x 1.5 cable inlet, IP65 **B**
- Aluminum epoxy coated 2 x ½" NPT via adapter - cable inlet, IP68 **C**
- Aluminum epoxy coated 2 x M20 x 1.5 cable inlet, IP68 **D**
- Stainless steel, please contact a local sales person for details.
- For more information, please visit http://www.automation.siemens.com/aspa_app.

- 1) Flange bolting patterns and facings dimensionally correspond to the applicable ASME B16.5 or EN 1092-1 standard.
- 2) Cable lengths from 15 000 mm (590.55 inch) to 25 000 mm (984.25 inch) can be used in non-conductive media. Contact Factory for assistance.
- 3) Not available with FM approvals.

Selection and ordering data	Order code
Further designs	
Please add "-Z" to Article No. and specify Order code(s).	
Insertion length, specify in plain text: Y01: ... mm	Y01
Stainless steel tag [70 x 13 mm (2.75 x 0.5 inch)]: Measuring-point number/identification (max. 27 characters) specify in plain text	Y15
Manufacturer's Test Certificate: M to DIN 55350, Part 18 and to ISO 9000	C11
Material inspection Certificate Type 3.1 per EN 10204	C12
INMETRO ¹⁾	E34
Operating Instructions	
All literature is available to download for free, in a range of languages, at http://www.siemens.com/processinstrumentation/documentation	
Accessories	
Electronic transmitter kit (includes transmitter and driver)	Article No. 7ML1830-1KN
SITRANS RD100, loop powered display - see Chapter 7	7ML5741-.....-
SITRANS RD150, remote digital display for 4 ... 20 mA and HART devices - see Chapter 7	7ML5742-.....-
SITRANS RD200, universal input display with Modbus conversion - see Chapter 7	7ML5740-.....-
SITRANS RD300, dual line display with totalizer and linearization curve and Modbus conversion - see Chapter 7	7ML5744-.....-
For applicable back up point level switch - see point level measurement section	
¹⁾ Available only with Approvals options A and B.	

Level measurement

Continuous level measurement
Capacitance transmitters

SITRANS LC300

Selection and ordering data

Article No.

SITRANS LC300 Capacitance level transmitter, PFA coated cable design

Continuous, contact, monitors level or interface in liquids or solids. Extension options up to 25 m (82.02 ft).

➤ Click on the Article No. for the online configuration in the PIA Life Cycle Portal.

Process connection

Threaded, 316L stainless steel

1½" NPT [(Taper), ANSI/ASME B1.20.1]

R 1½" [(BSPT), EN 10226/PT (JIS-T), JIS B 0203]

G 1½" [(BSPP), EN ISO 228-1/PF (JIS-P), JIS B 0202]

Welded flange, 316L stainless steel, raised face¹⁾

1½" ASME, 150 lb

1½" ASME, 300 lb

1½" ASME, 600 lb

2" ASME, 150 lb

2" ASME, 300 lb

2" ASME, 600 lb

3" ASME, 150 lb

3" ASME, 300 lb

3" ASME, 600 lb

4" ASME, 150 lb

4" ASME, 300 lb

4" ASME, 600 lb

Welded flange, 316L stainless steel,

Type A flat faced¹⁾

DN 40, PN 16

DN 40, PN 40

DN 50, PN 16

DN 50, PN 40

DN 80, PN 16

DN 80, PN 40

DN 100, PN 16

DN 100, PN 40

Sanitary, hastelloy, duplex or other custom process connections available.

Please contact a local sales person for details.

For more information, please visit

http://www.automation.siemens.com/aspa_app.

Probe Length

(from flange face or including process thread)

Add Order code Y01 and plain text: "Insertion length ... mm"

1 000 ... 2 000 mm (39.37 ... 78.74 inch)

2 001 ... 4 000 mm (78.78 ... 157.48 inch)

4 001 ... 6 000 mm (157.52 ... 236.22 inch)

6 001 ... 8 000 mm (236.26 ... 314.96 inch)

8 001 ... 10 000 mm (315.00 ... 393.70 inch)

10 001 ... 12 000 mm (393.74 ... 472.44 inch)

12 001 ... 14 000 mm (472.48 ... 551.18 inch)

14 001 ... 16 000 mm (551.22 ... 629.92 inch)²⁾

16 001 ... 18 000 mm (629.96 ... 708.66 inch)²⁾

18 001 ... 20 000 mm (708.70 ... 787.40 inch)²⁾

20 001 ... 22 000 mm (787.44 ... 866.14 inch)²⁾

22 001 ... 24 000 mm (866.18 ... 944.88 inch)²⁾

24 001 ... 25 000 mm (944.92 ... 984.25 inch)²⁾

Thermal isolator

Without thermal isolator

With thermal isolator [for process connection temperatures over 85 °C (185 °F)]

7ML5673-

0 D

1 D

3 D

5 D

5 E

5 F

5 G

5 H

5 J

5 K

5 L

5 M

5 N

5 P

5 Q

6 C

6 D

6 E

6 F

6 G

6 H

6 J

6 K

A

B

C

D

E

F

G

H

J

K

L

M

N

0

1

Article No.

SITRANS LC300 Capacitance level transmitter, PFA coated cable design

Continuous, contact, monitors level or interface in liquids or solids. Extension options up to 25 m (82.02 ft).

Wetted seals

FKM

FFKM [for process temperatures above -20 °C (-4 °F)]³⁾

Probe material

PFA coated cable and 316L stainless steel cable weight, PEEK isolator and PFA lined active shield

Approvals

General Safety (CSA, FM, CE, RCM)

Dust Ignition Proof With IS Probe

CE, RCM, ATEX II 1/2 D T100 °C

Flame Proof Enclosure With IS Probe

CE, RCM, ATEX II 1/2 G EEx d [ia] IIC T6 ... T1, ATEX II 1/2 D T100 °C

Dust Ignition Proof With IS Probe

CSA/FM Class II, Div. 1, Groups E, F, G

CSA/FM Class III T4

Explosion Proof Enclosure With IS Probe

CSA/FM Class I, Div. 1, Groups A, B, C, D

CSA/FM Class II, Div. 1, Groups E, F, G

CSA/FM Class III T4

Enclosure

Aluminum epoxy coated 2 x ½" NPT via

adapter - cable inlet, IP65

Aluminum epoxy coated 2 x M20 x 1.5 cable inlet,

IP65

Aluminum epoxy coated 2 x ½" NPT via

adapter - cable inlet, IP68

Aluminum epoxy coated 2 x M20 x 1.5 cable inlet,

IP68

Stainless steel, please contact a local sales person

for details.

For more information, please visit

http://www.automation.siemens.com/aspa_app.

Mounting eye

Without Mounting eye

With mounting eye

- Flange bolting patterns and facings dimensionally correspond to the applicable ASME B16.5 or EN 1092-1 standard.
- Cable lengths from 15 000 mm (590.55 inch) to 25 000 mm (984.25 inch) can be used in non-conductive media. Contact Factory for assistance.
- Not available with FM approvals.

0
1

1

A

B

C

C

D

D

E

E

F

F

G

G

H

H

I

I

J

J

K

K

L

L

M

M

N

N

O

O

P

P

Q

Q

R

R

S

S

T

T

U

U

V

V

W

W

X

X

Y

Y

Z

Z

0

1

Selection and ordering data

Further designs

Please add **"-Z"** to Article No. and specify Order code(s).

Insertion length, specify in plain text: Y01: ... mm

Stainless steel tag [70 x 13 mm (2.75 x 0.5 inch)]: Measuring-point number/identification (max. 27 characters) specify in plain text

Manufacturer's Test Certificate: M to DIN 55350, Part 18 and to ISO 9000

Material inspection Certificate Type 3.1 per EN 10204

INMETRO¹⁾

Operating Instructions

All literature is available to download for free, in a range of languages, at

<http://www.siemens.com/processinstrumentation/documentation>

Accessories

Electronic transmitter kit (includes transmitter and driver)

SITRANS RD100, loop powered display - see Chapter 7

SITRANS RD150, remote digital display for 4 ... 20 mA and HART devices - see Chapter 7

SITRANS RD200, universal input display with Modbus conversion - see Chapter 7

SITRANS RD300, dual line display with totalizer and linearization curve and Modbus conversion - see Chapter 7

For applicable back up point level switch - see point level measurement section

¹⁾ Available only with Approvals options A and B.

Article No.

Y01	
Y15	
C11	
C12	
E34	
Article No.	
7ML1830-1KN	
7ML5741-.....-	
7ML5742-.....-	
7ML5740-.....-	
7ML5744-.....-	

Article No.

LC300 Specials¹⁾

LC300 Cable Extensions, 316L stainless steel

Kit, Stainless steel cable extension, 1 m, adjustable by customer

Kit, Stainless steel cable extension, 3 m, adjustable by customer

Kit, Stainless steel cable extension, 5 m, adjustable by customer

Kit, Stainless steel cable extension, 10 m, adjustable by customer

Kit, Stainless steel cable extension, 15 m, adjustable by customer

Kit, Stainless steel cable extension, 20 m, adjustable by customer

LC300 Cable Extensions, 316 stainless steel with PFA coating

Kit, PFA cable extension, 1 m

Kit, PFA cable extension, 3 m

Kit, PFA cable extension, 5 m

Kit, PFA cable extension, 10 m

Kit, PFA cable extension, 15 m

Kit, PFA cable extension, 20 m

LC300 Mounting Eye

Spare mounting eye (LC300 PFA versions only)

LC300 Weight Kit, 316L stainless steel

Kit, Spare stainless steel weight. To be used in any cable version of CLS300, or stainless steel cable version of LC300

A5E01163688

A5E01163689

A5E01163690

A5E01163691

A5E01163693

A5E01163695

A5E01163709

A5E01163710

A5E01163711

A5E01163712

A5E01163713

A5E01163714

A5E01163717

A5E01163727

Customers interested in a custom designed device should consult a local sales person. For more information, please visit http://www.automation.siemens.com/aspa_app.

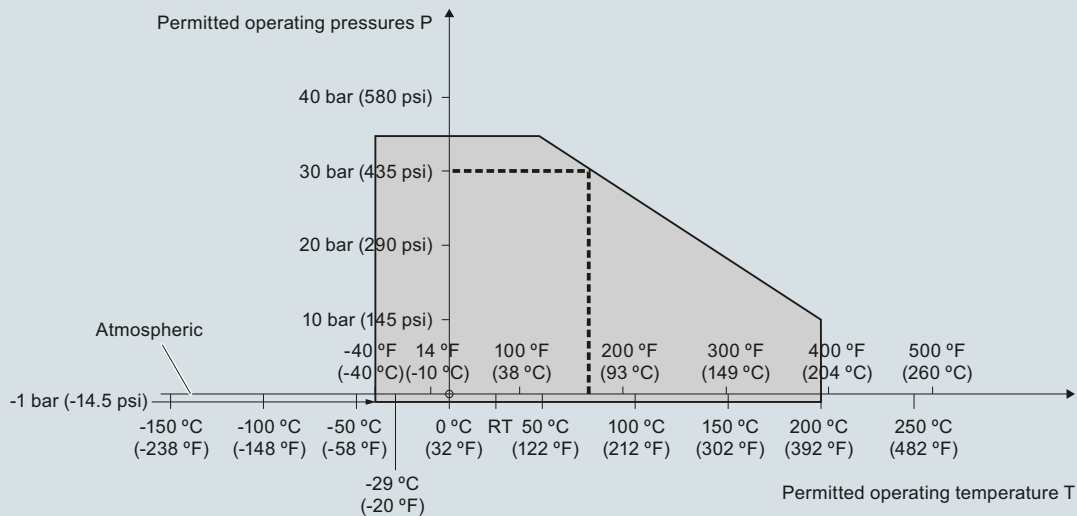
Level measurement

Continuous level measurement
 Capacitance transmitters

SITRANS LC300

Characteristic curves

Pressure/temperature curve
 LC300 standard, extended rod and cable probes
 Threaded process connections
 (7ML5670, 7ML5671, 7ML5672 and 7ML5673)

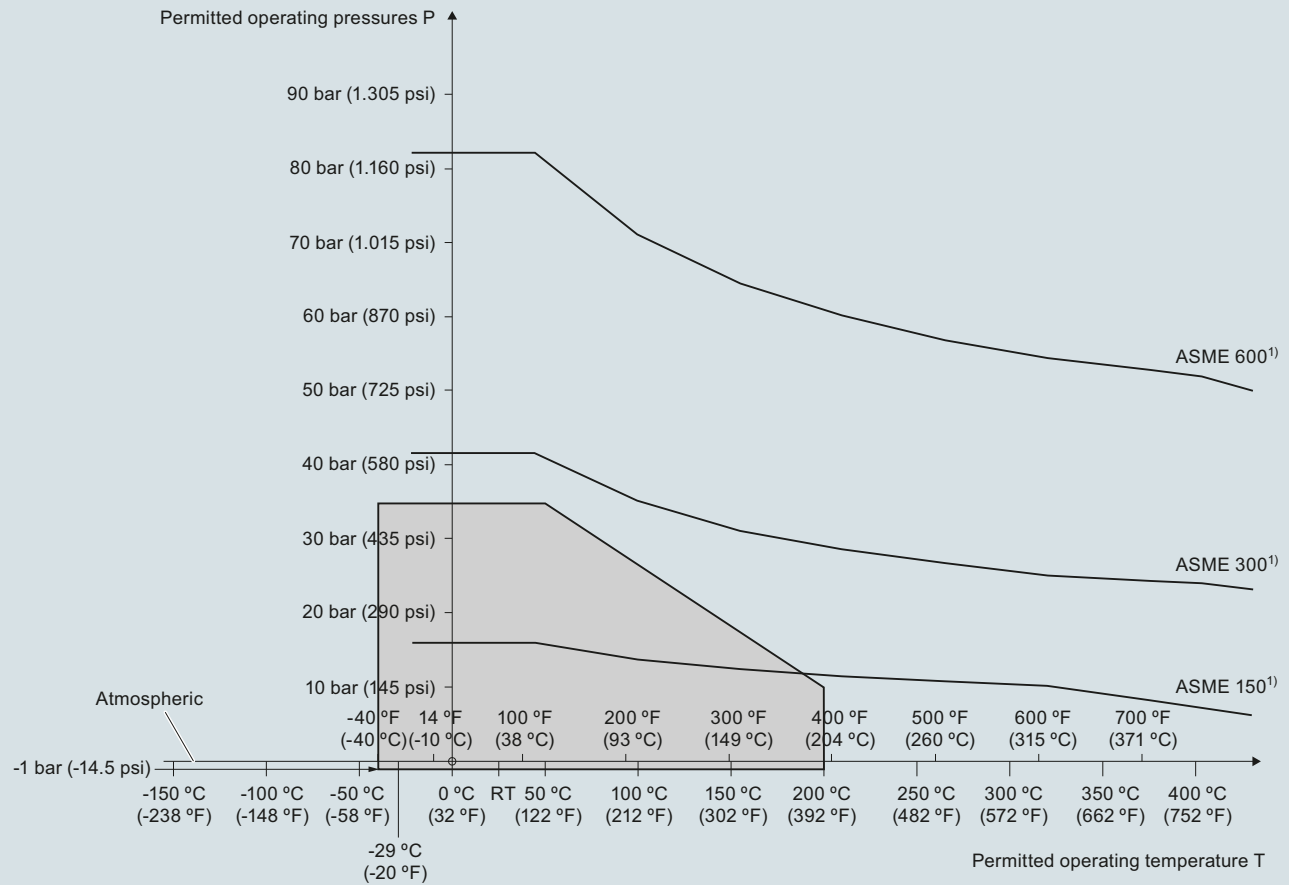


----- Example:
 Permitted operating pressure = 30 bar (435 psi) at 75 °C

SITRANS LC300 process pressure/temperature derating curves (7ML5670, 7ML5671, 7ML5672, and 7ML5673)

Characteristic curves (continued)

Pressure/temperature curve
 LC300 standard, extended rod and cable probes
 ASME flanged process connections
 (7ML5670, 7ML5671, 7ML5672 and 7ML5673)



¹⁾ The curve denotes the minimum allowable flange class for the shaded area below.

SITRANS LC300 process pressure/temperature derating curves (7ML5670, 7ML5671, 7ML5672, and 7ML5673)

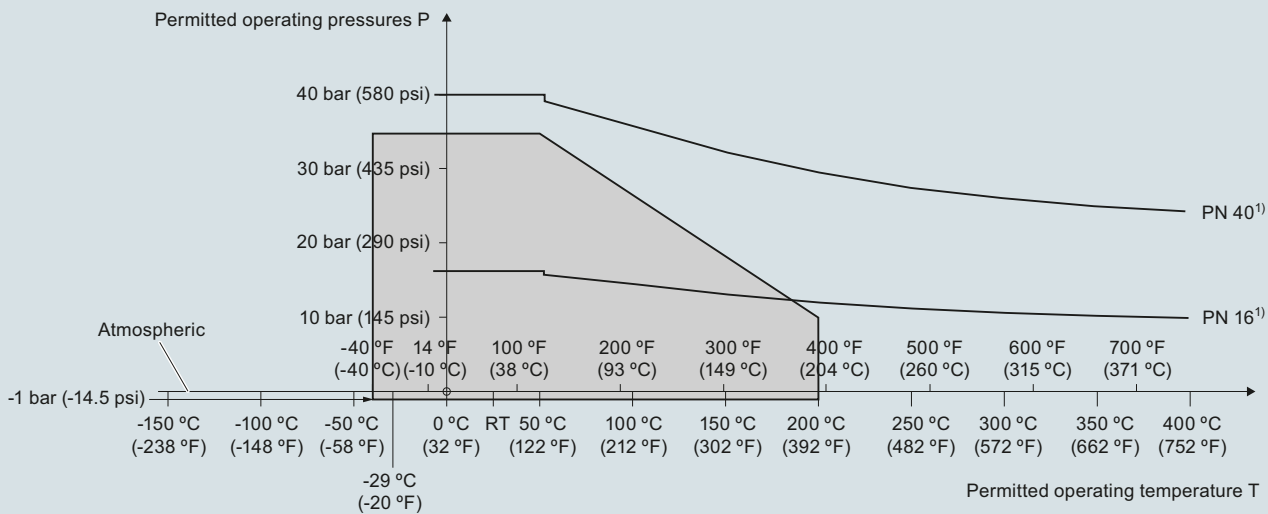
Level measurement

Continuous level measurement
Capacitance transmitters

SITRANS LC300

Characteristic curves (continued)

Pressure/temperature curve
LC300 standard, extended rod and cable probes
EN flanged process connections
(7ML5670, 7ML5671, 7ML5672 and 7ML5673)

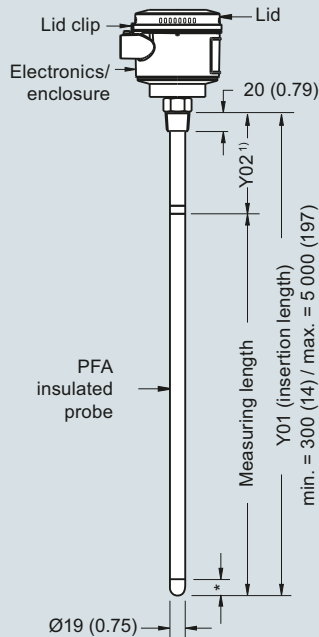


¹⁾ The curve denotes the minimum allowable flange class for the shaded area below.

SITRANS LC300 process pressure/temperature derating curves (7ML5670, 7ML5671, 7ML5672, and 7ML5673)

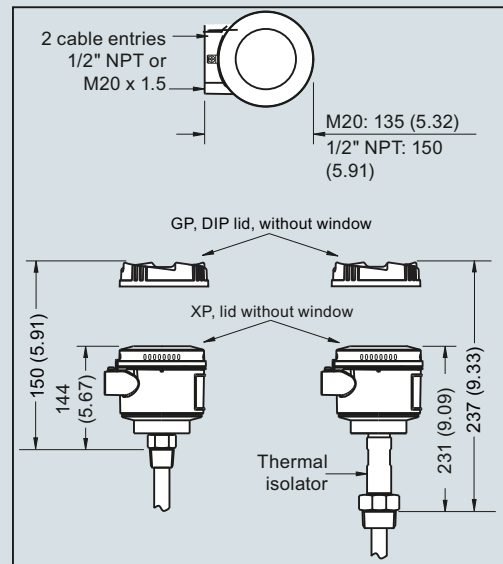
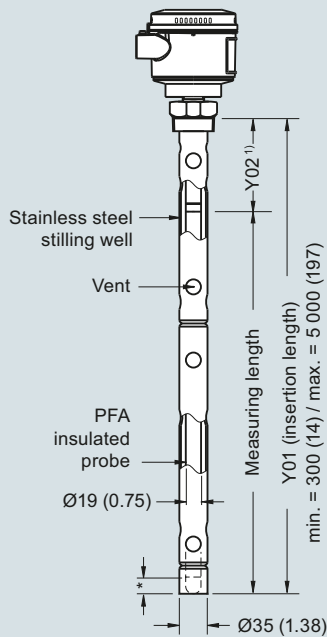
Dimensional drawings

Threaded (7ML5670)



* = 30 (1.18) Inactive tip

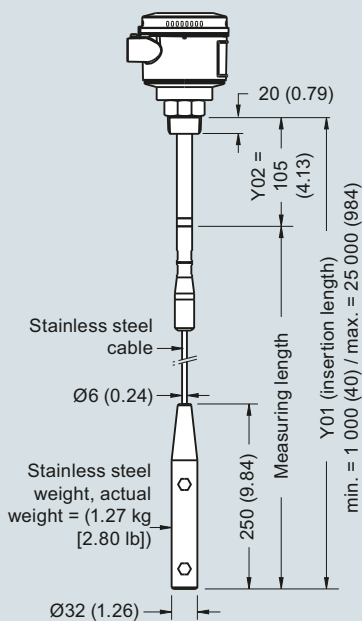
Threaded (7ML5671)



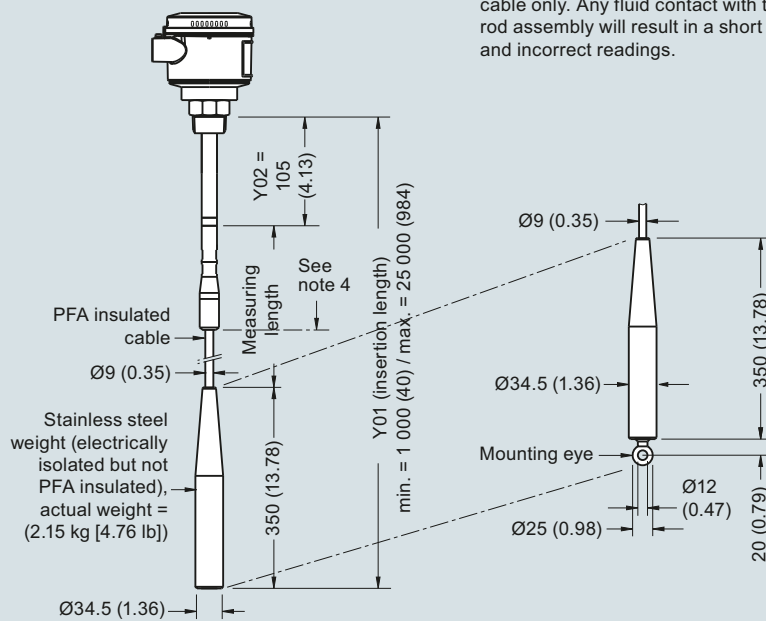
Note:

- 1) Rod version, threaded Y02 (including process connection): shield length = 120 (4.7).
- 2) For non-conductive applications only. Non-insulated cable can be shortened on site. Weight is included in measuring length.
- 3) For liquid and solid applications. Insulated cable cannot be shortened. Weight is **not** included in measuring length.
- 4) For conductive materials, the measuring length includes the exposed PFA insulated cable only. Any fluid contact with the upper rod assembly will result in a short circuit and incorrect readings.

Cable version, non-insulated²⁾
Threaded (7ML5672)



Cable version, insulated³⁾
Threaded (7ML5673)



SITRANS LC300 threaded process connections, dimensions in mm (inch)

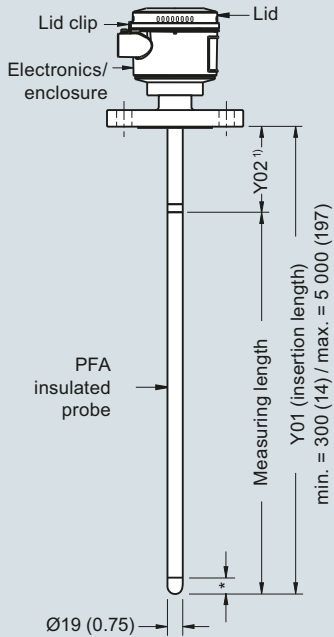
Level measurement

Continuous level measurement
Capacitance transmitters

SITRANS LC300

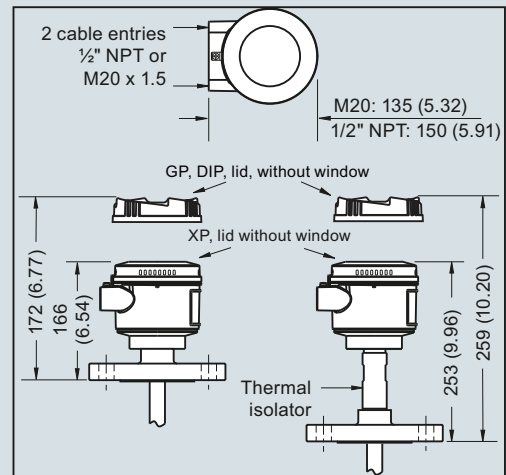
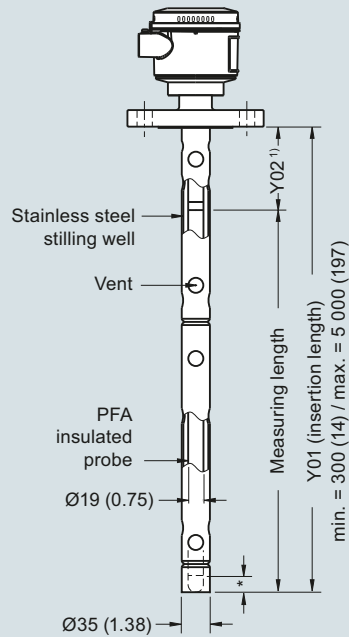
Dimensional drawings (continued)

Welded Flange (7ML5670)



* = 30 (1.18) inactive tip

Welded Flange (7ML5671)



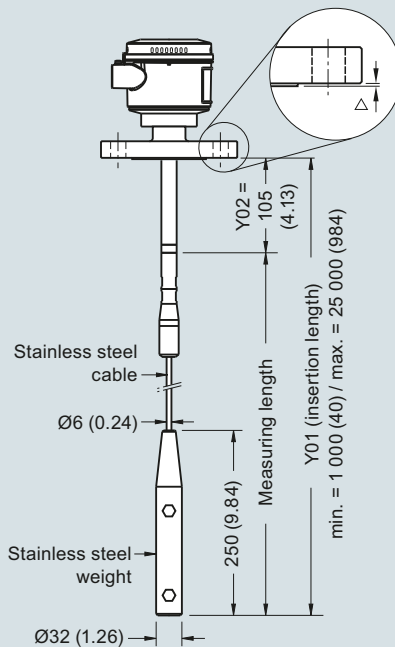
Flange Facing (raised face)

Flange Class	Facing thickness
△ ASME 150/300	2 (0.08)
△ ASME 600/900	7 (0.28)
△ PN16/40	2 (0.08)

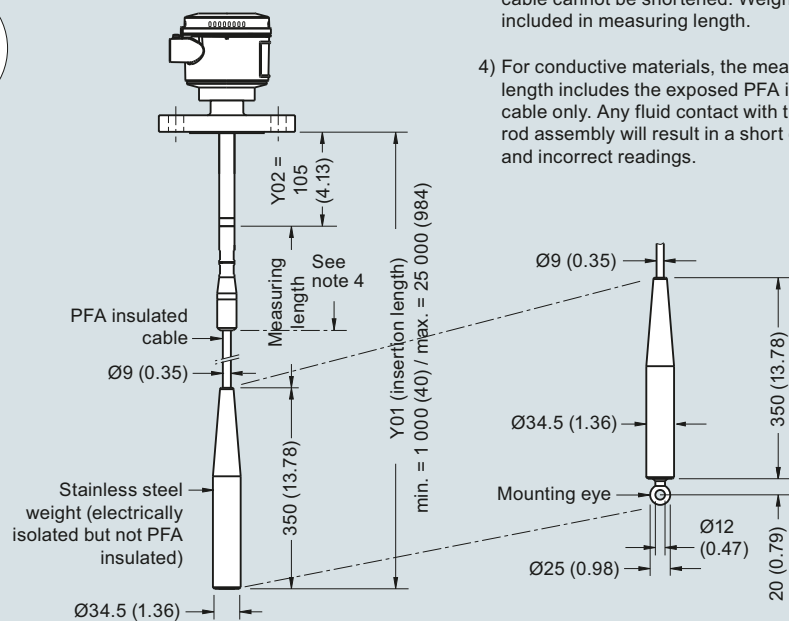
Notes:

- 1) Rod version, welded flange Y02: shield length = 100 (3.9).
- 2) For non-conductive applications only. Non-insulated cable can be shortened on site. Weight is included in measuring length.
- 3) For liquid and solid applications. Insulated cable cannot be shortened. Weight is **not** included in measuring length.
- 4) For conductive materials, the measuring length includes the exposed PFA insulated cable only. Any fluid contact with the upper rod assembly will result in a short circuit and incorrect readings.

Cable version, non-insulated²⁾ Welded Flange (7ML5672)



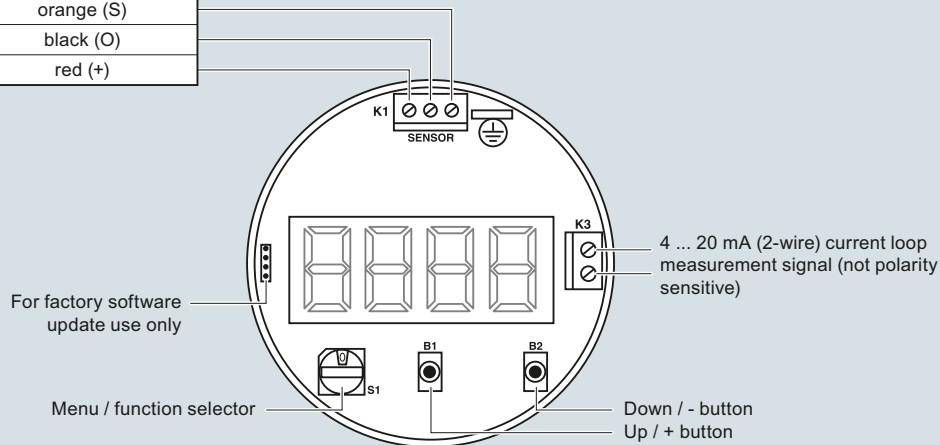
Cable version, insulated³⁾ Welded Flange (7ML5673)



SITRANS LC300 flanged process connections, dimensions in mm (inch)

Circuit diagrams

With safety barrier	Without safety barrier
white (S)	orange (S)
black (O)	black (O)
red (+)	red (+)



SITRANS LC300 connections