

Load Cells

Single point load cells

SIWAREX WL260 SP-S AA Load cell

Overview



The load cell is suitable for small platform scales with one load cell and a max. platform size 400 × 400 mm (15.75 × 15.75 inch) as well as for use in weighing machines of Class III with a max. scale verification intervals $n_{\max} = 3\,000d$.

Design

The load cell is hermetically sealed.

Selection and ordering data

Load cell, type WL 260 SP-S AA Legal-for-trade according to OIML R60 up to 3 000d, connecting cable 3 m (9.84 ft)	Article No. 7MH5102-
Click on the Article No. for the online configuration in the PIA Life Cycle Portal.	● ● D 0 0
Rated load	
• 3 kg (6.61 lb)	1 K
• 5 kg (11.02 lb)	1 P
• 10 kg (22.05 lb)	2 A
• 20 kg (44.09 lb)	2 G
• 50 kg (110.23 lb)	2 P
• 100 kg (220.46 lb)	3 A

Technical specifications

SIWAREX WL260 SP-S AA	
Possible applications	<ul style="list-style-type: none"> Platform scales Small belt scales
Type of construction	Single point load cell
Loads	
Rated load E_{\max}	<ul style="list-style-type: none"> 3 kg (6.61 lb) 5 kg (11.02 lb) 10 kg (22.05 lb) 20 kg (44.09 lb) 50 kg (110.23 lb) 100 kg (220.46 lb)
Minimum initial loading E_{\min}	0% E_{\max}
Maximum working load L_U	150% E_{\max}
Breaking load L_d	300% E_{\max}
Safe side load L_{lq}	100% E_{\max}
Measurement characteristic values	
Rated displacement h_n at E_{\max}	< 0.6 mm (0.024 inch)
Rated characteristic value C_n	2.0 ± 0.2 mV/V
Tolerance D_0 of zero signal	< ± 2 % C_n
Maximum scale interval n_{LC}	3 000
Minimum scale interval V_{\min}	$E_{\max}/12\,000$
Combined error F_{comb}	± 0.02% C_n
Repeatability F_v	± 0.01 % C_n
Creep error F_{cr}	

Technical specifications (Continued)

SIWAREX WL260 SP-S AA	
• 30 min	± 0.02% C_n
Temperature coefficient	
• Zero signal T_{K_0}	0.02% $C_n/10\,K$
• Characteristic value T_{K_c}	0.0175% $C_n/10\,K$
Electrical characteristic values	
Recommended reference voltage U_{ref}	5 ... 12 V DC
Input resistance R_e	409 Ω ± 6 Ω
Output resistance R_s	350 Ω ± 3 Ω
Insulation resistance R_{is}	5 000 MΩ at 50 V DC
Connection and environmental conditions	
Rated temperature range B_{Tn}	-10 ... +40 °C (+14 ... +104 °F)
Operating temperature range B_{Tu}	-35 ... +65 °C (-31 ... +149 °F)
Storage temperature range B_{Ts}	-35 ... +65 °C (-31 ... +149 °F)
Sensor material (DIN)	Aluminum
Maximum tightening torque of the fixing screws	15 ... 20 Nm
Degree of protection to EN 60529; IEC 60529	IP65
Cable connection	
<u>Function</u>	<u>Color</u>
• EXC + (supply +)	Red
• EXC - (supply -)	Black
• SIG + (measured signal +)	Green

Technical specifications (Continued)

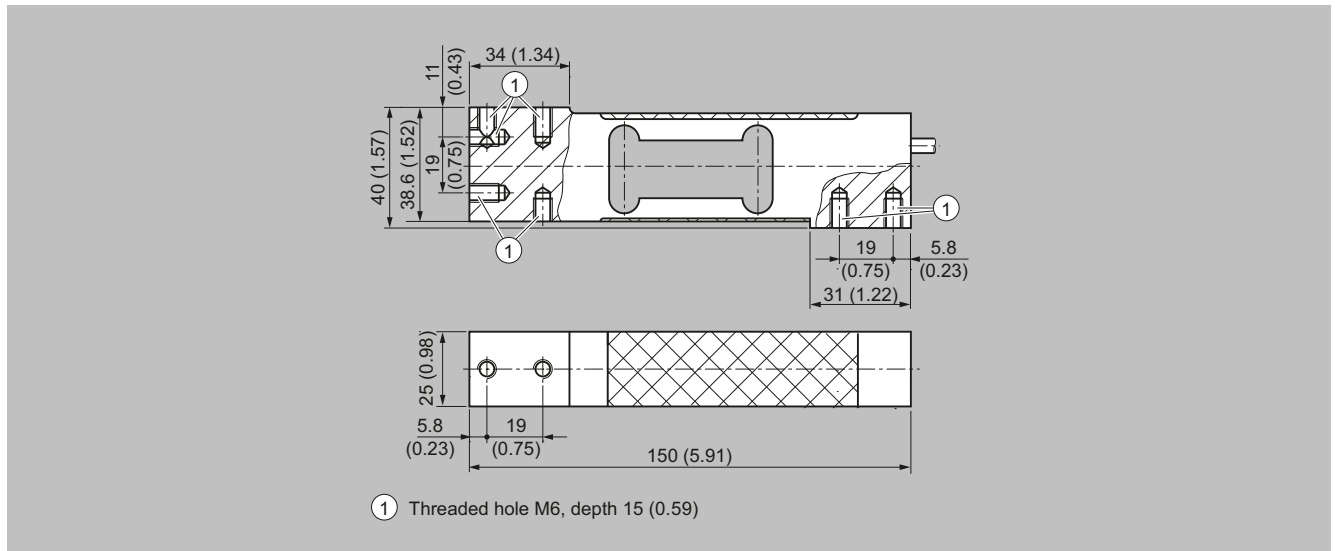
SIWAREX WL260 SP-S AA

• SIG – (measured signal -)	White
• Sense + (sensor cable +)	Blue
• Sense - (sensor cable -)	Brown
• Shield (not connected to the load cell body)	Transparent

Certificates and approvals

Accuracy class according to OIML R60	C3
--------------------------------------	----

Dimensional drawings



SIWAREX WL 260 SP-S AA load cell, dimensions in mm (inch)