

Plug socket MSSD

FESTO



Characteristics

Product segmentation



Festo Core Range

Solves the majority of your automation tasks

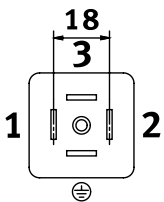
With the Festo Core Range, we have selected the most important products and functions from our broad product catalogue, and added the quickest delivery. The Core Range offers you the best value with the expected high Festo quality.

Quickest delivery, worldwide – wherever, whenever

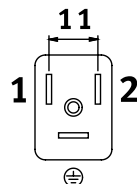
- Expected high Festo quality
- Easy and fast to select

Electrical connection 1, connection technology

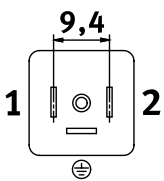
[C] Type A to EN 175301-803



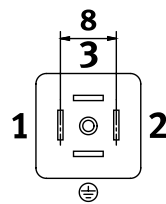
[F] Type B as per industry standard 11 mm



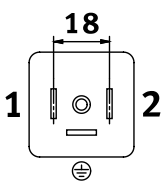
[E] Type C as per industry standard 9.4 mm



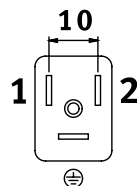
[EB] Type C to EN 175301-803



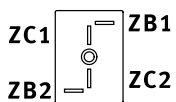
[N] Type A to EN 175301-803



[V] Type B to EN 175301-803



[ZBZC] Connection pattern ZB/ZC



Type code

001	Series	
MSSD	Plug socket	

002	Electrical connection 1, connection technology	
C	Type A to EN 175301-803	
F	Type B as per industry standard 11 mm	
E	Type C as per industry standard 9.4 mm	
EB	Type C to EN 175301-803	
N	Type A to EN 175301-803	
V	Type B to EN 175301-803	
ZBZC	Connection pattern ZB/ZC	

003	Electrical connection 1, number of pins/wires	
	Standard	
4P	4-pin	

004	Electrical connection 2, connection technology	
	Standard	
S	Insulation displacement connector	

005	Cable connector	
	Standard	
M12	M12	
M14	M14	
M16	M16	
TY	Pg11	

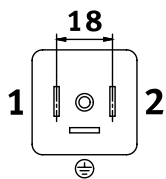
006	Operating voltage range	
	Standard	
24DC	0 ... 30 V DC, 0 ... 24 V AC	
24VDC	0 ... 30 V DC, 0 ... 24 V AC	

007	Version	
	Standard	
SD	Special design	

008	EU certification	
	None	
EX2	II 3GD	

Datasheet

General technical data – Electrical connection 1 socket type A according to EN 175301-803, 3-pin



Cable fitting	M16	M20x1.5	Pg 9
Based on standard	–	EN 175301-803	–
Type of mounting	On solenoid valve via M3 central screw	–	On solenoid valve via M3 central screw
Mounting position	optional	–	optional
Protective conductor connection	–	–	Available
Electrical connection	3-pin, Angled socket, Type A, To DIN EN 175301-803, Square design	–	3-pin, Angled socket, Type A, To DIN EN 175301-803, Square design MSC, Square design MSN1
Electrical connection 1, connection type	–	Socket	–
Electrical connection 1, design	–	Angular	–
Electrical connection 1, connector system	–	Plug pattern type A to EN 175301-803	–
Electrical connection 1, number of connections/cores	–	3	–
Electrical connection 1, type of mounting	–	On solenoid valve via M3 central screw	–
Electrical connection 2, connector system	–	Screw terminal	–
Cable outlet	–	Angled	–
Note on cable outlet	–	–	90° rotatable
Frequency of connection	50	–	–
Cable diameter	–	8 ... 10 mm	6 ... 8 mm
Permissible cable diameter	6 ... 8 mm	–	–
Connection cross section	1.5 mm ²	–	–
Nominal cross section conductor	–	1.5	–

Technical data – Electrical, Electrical connection 1 socket type A according to EN 175301-803, 3-pin

Cable fitting	M16	M20x1.5	Pg 9
Operational voltage range DC	–	0 ... 24 V	0 ... 300 V
Operational voltage range AC	–	0 ... 250 V	–
Current rating at 40° C	–	16	–

Materials – Electrical connection 1 socket type A to EN 175301-803, 3-pin

Cable fitting	M16	M20x1.5	Pg 9
Material housing	PA-reinforced	–	Polymer
Housing colour	–	Black	–
Material seals	HNBR	VMQ	NBR
Material screws	–	Steel	–
Note on materials	RoHS-compliant	–	–
LABS (PWIS) conformity	VDMA24364-B2-L	VDMA24364 zone III	VDMA24364-B2-L

Datasheet

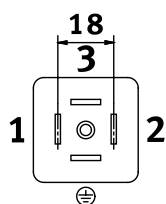
Operating and environmental conditions – Electrical connection 1 socket type A according to EN 175301-803, 3-pin

Cable fitting	M16	M20x1.5	Pg 9
Ambient temperature	-20 ... 115°C	-25 ... 80°C	-25 ... 90°C
CE mark (see declaration of conformity) ¹⁾	–		To EU Low Voltage Directive, In accordance with EU RoHS Directive
CE marking (see declaration of conformity) ²⁾	–		To UK RoHS instructions, To UK regulations for electrical equipment
Degree of protection	IP65, To IEC 60529	IP65	
Note on degree of protection	–	In assembled state	
Maritime classification ³⁾	–		See certificate

 1) More information www.festo.com/catalogue/... Support/Downloads.

 2) More information www.festo.com/catalogue/... Support/Downloads.

 3) More information www.festo.com/sp Certificates.

General technical data – Electrical connection 1, socket type A to EN 175301-803, 4-pin


Nominal cross section conductor	0.5 ... 1 mm ²	≤1.5 mm ²
Type of mounting	On solenoid valve via M3 central screw	
Mounting position	optional	
Electrical connection	4-pin, Socket, Type A	3-pin, Angled socket, Type A, To DIN EN 175301-803, Square design MSC, Square design MSN1
Frequency of connection	10	–
Cable diameter	5.5 ... 8 mm	6 ... 8 mm
Cable fitting	–	Pg 9

Materials – Electrical connection 1 socket type A according to EN 175301-803, 4-pin

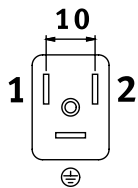
Nominal cross section conductor	0.5 ... 1 mm ²	≤1.5 mm ²
Material housing	PA	Polymer
Housing colour	Black	
Note on materials	–	RoHS-compliant

Operating and environmental conditions – Electrical connection 1 socket type A according to EN 175301-803, 4-pin

Nominal cross section conductor	0.5 ... 1 mm ²	≤1.5 mm ²
Ambient temperature	-25, 90	
Degree of protection	IP67, To IEC 60529	IP65

Datasheet

General technical data – Electrical connection, 1 socket type B to EN 175301-803



Cable fitting	M16	Pg 9
Type of mounting	On solenoid valve via M3 central screw	
Mounting position	optional	
Electrical connection	3-pin, Angled socket, Type B, To DIN EN 175301-803, Square design	3-pin, Socket, Angled socket, Type B, To DIN EN 175301-803, Square design MSV
Frequency of connection	50	–
Cable diameter	–	6, 8
Permissible cable diameter	6 ... 8 mm	–
Connection cross section	0.75 mm ²	–
Nominal cross section conductor	–	1.5
Cable outlet	–	Angled
Note on cable outlet	–	180° rotatable
Protective conductor connection	–	Available

Materials – Electrical connection 1 socket type B according to EN 175301-803

Cable fitting	M16	Pg 9
Material housing	PA-reinforced	Polymer
Housing colour	–	Black
Material seals	HNBR	NBR
LABS (PWIS) conformity	VDMA24364-B2-L	

Operating and environmental conditions – Electrical connection 1 socket type B to EN 175301-803

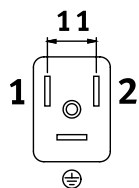
Cable fitting	M16	Pg 9
Ambient temperature	-20 ... 115°C	-25 ... 90°C
CE mark (see declaration of conformity) ¹⁾	–	To EU Low Voltage Directive, In accordance with EU RoHS Directive
CE marking (see declaration of conformity) ²⁾	–	To UK RoHS instructions, To UK regulations for electrical equipment
Degree of protection	IP65, To IEC 60529	IP65
Note on degree of protection	–	In assembled state

1) More information www.festo.com/catalogue/... Support/Downloads.

2) More information www.festo.com/catalogue/... Support/Downloads.

Datasheet

General technical data – Electrical connection 1 socket type B industry standard 11 mm



Nominal cross section conductor	0.5 ... 1 mm ²	≤0.75 mm ²	≤1.5 mm ²
Type of mounting	On solenoid valve via M3 central screw	–	On solenoid valve via M3 central screw
Protective conductor connection	–	Available	
Electrical connection 1, type of mounting	–	On solenoid valve via M3 central screw	–
Mounting position	optional	–	optional
Electrical connection	3-pin, Socket, Type B	–	3-pin, Angled socket, Square design MSF
Electrical connection 1, connection type	–	Socket	
Electrical connection 1, design	–	Angular	
Electrical connection 1, connector system	–	Plug pattern type B to industry standard, 11 mm	–
Electrical connection 1, number of connections/cores	–	3	
Electrical connection 2, connector system	–	Screw terminal	–
Cable outlet	–	Angled	
Note on cable outlet	–	180° rotatable	
Cable fitting	–	M16x1.5	Pg 9
Frequency of connection	10	50	–
Cable diameter	5.5 ... 8 mm	6 ... 8 mm	

Technical data □– Electrical, electrical connection 1 socket type B industry standard 11 mm

Nominal cross section conductor	0.5 ... 1 mm ²	≤0.75 mm ²	≤1.5 mm ²
Operational voltage range DC	–	0 ... 250 V	
Operational voltage range AC	–	0 ... 250 V	
Immunity to surge	–	2 kV	–
Current rating at 40° C	–	6	16

Materials – Electrical connection 1 socket type B industry standard 11 mm

Nominal cross section conductor	0.5 ... 1 mm ²	≤0.75 mm ²	≤1.5 mm ²
Material housing	PA	PA-reinforced	Polymer
Housing colour	Black		
Material seals	–	HNBR	NBR
Note on materials	–	RoHS-compliant	
LABS (PWIS) conformity	VDMA24364-B2-L		

Datasheet

Operating and environmental conditions – Electrical connection 1 socket type B industry standard 11 mm

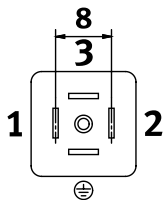
Nominal cross section conductor	0.5 ... 1 mm ²	≤0.75 mm ²	≤1.5 mm ²
Ambient temperature	-25 ... 90°C	-20 ... 115°C	-25 ... 90°C
Corrosion resistance class CRC ¹⁾	–	1 - Low corrosion stress	–
Pollution degree	–	3	–
CE mark (see declaration of conformity) ²⁾	–	To EU Low Voltage Directive, In accordance with EU RoHS Directive	
CE marking (see declaration of conformity) ³⁾	–	To UK RoHS instructions, To UK regulations for electrical equipment	
Degree of protection	IP67, To IEC 60529	IP65	
Note on degree of protection	–	In assembled state	

1) More information www.festo.com/x/topic/crc

2) More information www.festo.com/catalogue/... Support/Downloads.

3) More information www.festo.com/catalogue/... Support/Downloads.

General technical data – Electrical connection 1 socket type C according to EN 175301-803, 3-pin



Connection cross section	0.25 ... 0.5 mm ²	0.75 mm ²	1.5 mm ²
Type of mounting	On solenoid valve via M2.5 central screw		
Mounting position	–	optional	
Electrical connection	3-pin, Angled socket, Type C, To DIN EN 175301-803, Square design	3-pin, Socket, Angled socket, Type C, To DIN EN 175301-803, To DIN EN 61984, Square design MSEB, Square design MSN2	3-pin, Angled socket, Type C, To DIN EN 175301-803, Square design
Frequency of connection	–	50	
Cable diameter	–	6, 8	–
Permissible cable diameter	4, 6	7.5	4, 6
Cable fitting	M12	Pg7	M12
Nominal cross section conductor	–	0.75	–
Cable outlet	–	Angled	–
Note on cable outlet	–	90° rotatable	–

Technical data – Electrical, electrical connection 1 socket type C to EN 175301-803, 3-pin

Connection cross section	0.25 ... 0.5 mm ²	0.75 mm ²	1.5 mm ²
Nominal operating voltage DC	–	–	
Operational voltage range DC	0, 30	0, 300	–
Nominal operating voltage AC	–	–	
Operational voltage range AC	0, 24	0, 250	–
Immunity to surge	0.8	4	–
Permissible current load	–	6	–
Current rating at 40° C	6	–	

Materials – Electrical connection 1 socket type C to EN 175301-803, 3-pin

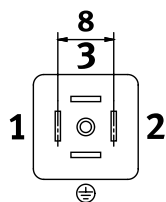
Connection cross section	0.25 ... 0.5 mm ²	0.75 mm ²	1.5 mm ²
Material housing	PA-reinforced	Polymer	PA-reinforced
Material seals	HNBR	NBR	HNBR
Note on materials	RoHS-compliant	–	
LABS (PWIS) conformity	VDMA24364-B2-L	–	

Datasheet

Operating and ambient conditions – Electrical connection 1 socket type C to EN 175301-803, 3-pin

Connection cross section	0.25 ... 0.5 mm ²	0.75 mm ²	1.5 mm ²
Ambient temperature	-25 ... 125°C	-45 ... 90°C	-40 ... 125°C
Pollution degree	3		–
CE mark (see declaration of conformity) ¹⁾	–	To EU Low Voltage Directive, In accordance with EU RoHS Directive	–
CE marking (see declaration of conformity)	–	To UK RoHS instructions, To UK regulations for electrical equipment	–
Degree of protection	IP65, To IEC 60529		
Note on degree of protection	–	In assembled state	–

1) More information www.festo.com/catalogue/... Support/Downloads.

General technical data – Electrical connection 1 socket type C in accordance with EN 175301-803, 4-pin


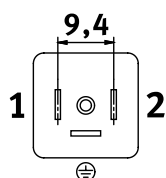
Type of mounting	On solenoid valve via M2.5 central screw
Mounting position	optional
Electrical connection	4-pin, Socket, Type C
Cable diameter	4 ... 6 mm
Nominal cross section conductor	0.25 ... 0.5 mm ²
Frequency of connection	10

Materials – Electrical connection 1 socket type C in accordance with EN 175301-803, 4-pin

Material housing	PA
Housing colour	Black

Operating and environmental conditions – Electrical connection 1, socket type C to EN 175301-803, 4-pin

Ambient temperature	-25 ... 90°C
Degree of protection	IP67, To IEC 60529

General technical data – Electrical connection 1 socket type C industry standard 9.4 mm


Cable fitting	M12	Pg7
Type of mounting	On solenoid valve via M3 central screw	
Mounting position	optional	
Electrical connection 1	Angled socket, square design, 3-pin, type C	
Electrical connection 2	Screw terminal	
Frequency of connection	50	–
Cable diameter	–	6 ... 8 mm
Permissible cable diameter	4 ... 6 mm	–
Connection cross section	0.75 mm ²	

Datasheet

Technical data – Electrical, electrical connection 1 socket type C industrial standard 9.4 mm

Cable fitting	M12	Pg7
Operational voltage range DC	0 ... 300 V	
Operational voltage range AC	0 ... 250 V	
Current rating at 40° C	6	

Materials – Electrical connection 1 socket type C industry standard 9.4 mm

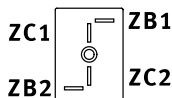
Cable fitting	M12	Pg7
Material housing	PA-reinforced	
Housing colour	Black	
Material seals	HNBR	NBR
Note on materials	RoHS-compliant	

Operating and environmental conditions – Electrical connection 1 socket type C industry standard 9.4 mm

Cable fitting	M12	Pg7
Ambient temperature	-20 ... 115°C	-25 ... 90°C
Corrosion resistance class CRC ¹⁾	1 - Low corrosion stress	-
Pollution degree	3	
Degree of protection	IP65, To IEC 60529	IP65

1) More information www.festo.com/x/topic/crc

General technical data – Electrical connection 1 socket plug pattern ZB/ZC



Type of mounting	On solenoid valve via self-tapping screw
Mounting position	optional
Electrical connection	Socket
Nominal cross section conductor	0.22 ... 0.34 mm ²

Technical data – Electrical, electrical connection 1 socket plug pattern ZB/ZC

Nominal operating voltage DC	24
Operational voltage range DC	3 ... 36 V

Materials – Electrical connection 1 socket plug pattern ZB/ZC

Material housing	PA
Note on materials	RoHS-compliant

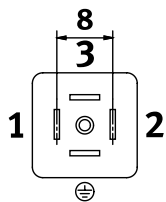
Operating and environmental conditions – Electrical connection 1 socket plug pattern ZB/ZC

Ambient temperature	-10 ... 50°C
Corrosion resistance class CRC ¹⁾	1 - Low corrosion stress
Degree of protection	IP50
Maritime classification	See certificate

1) More information www.festo.com/x/topic/crc

Datasheet

General technical data – Adapters



Based on standard	EN 175301-803, EN 61076-2-101, EN 61984
Switching position indicator	LED
Type of mounting	On solenoid valve via M2.5 central screw
Electrical connection 1	Socket, to EN 175301-803, type C
Electrical connection 2	Straight plug connector, M12x1, 2-pin, A-coded

Technical data – Electrical, adapter

Nominal operating voltage DC	24 V
Operational voltage range DC	12 ... 24 V
Operational voltage range AC	12 ... 24 V
Immunity to surge	2.5 kV
Permissible current load	0.12

Materials – Adapter

Material housing	PA
Housing colour	Transparent
Material screw-type lock	Nickel-plated steel
Material seals	HNBR, NBR
Material electrical contact	Silver-plated copper alloy, Gold-plated brass

Operating and environmental conditions – Adapter

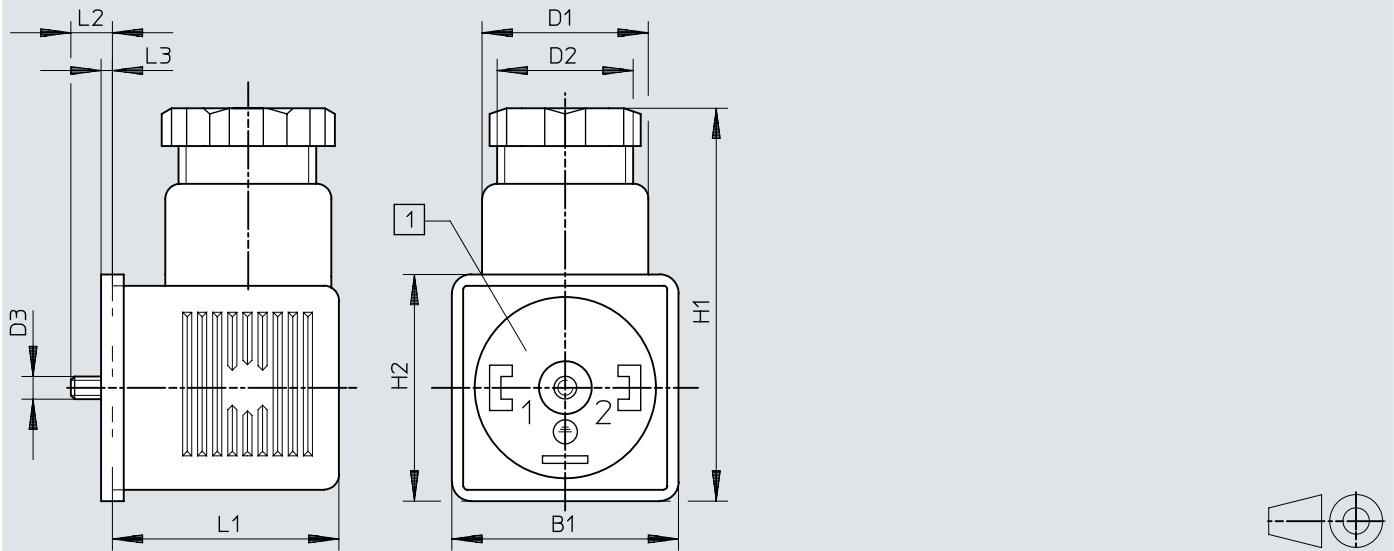
Ambient temperature	-10 ... 50°C
Corrosion resistance class CRC ¹⁾	2 - Moderate corrosion stress
Pollution degree	3
Degree of protection	IP65
LABS (PWIS) conformity	VDMA24364-B2-L

1) More information www.festo.com/x/topic/crc

Dimensions

Dimensions – Plug socket MSSD-C, 3-pin

Download CAD data → www.festo.com



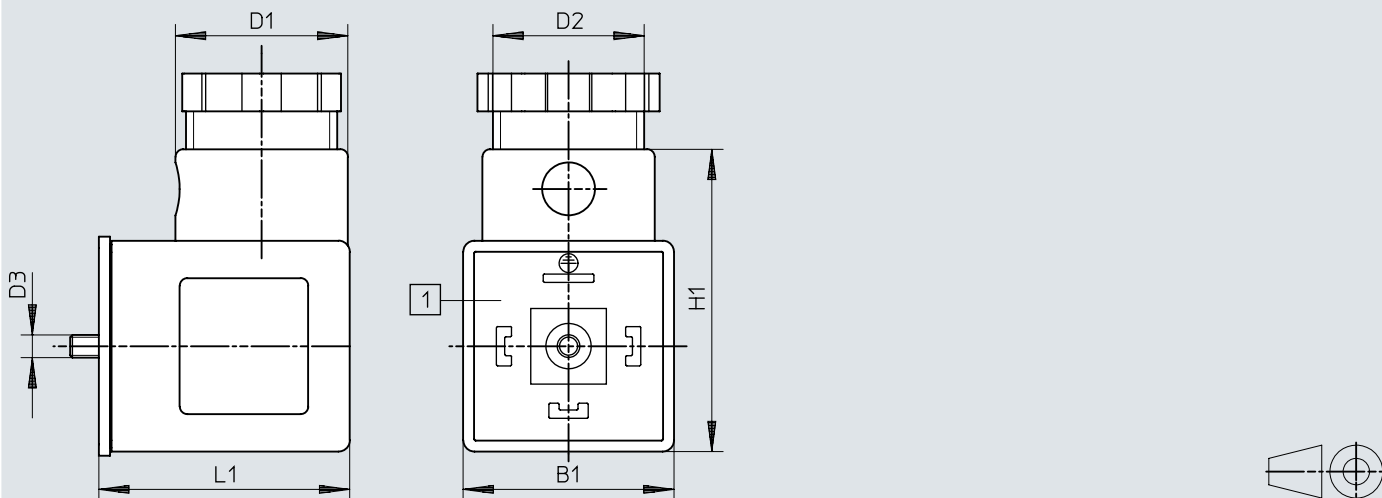
[1] Insert can be rotated 90°

	B1	D1 ∅	D2 ∅	D3 ∅	H1	H2	L1	L2	L3
MSSD-C	28	22	PG9	M3	52	28	26,5	5,5	1,5
MSSD-C-M16	27	22	M16x 1,5	M3	52	27	27	5,5	1,5
MSSD-C-TY-24DC	30	22	PG11	M3	52	30	30	5,5	1,5

Dimensions

Dimensions – Plug socket MSSD-N, 3-pin

Download CAD data → www.festo.com



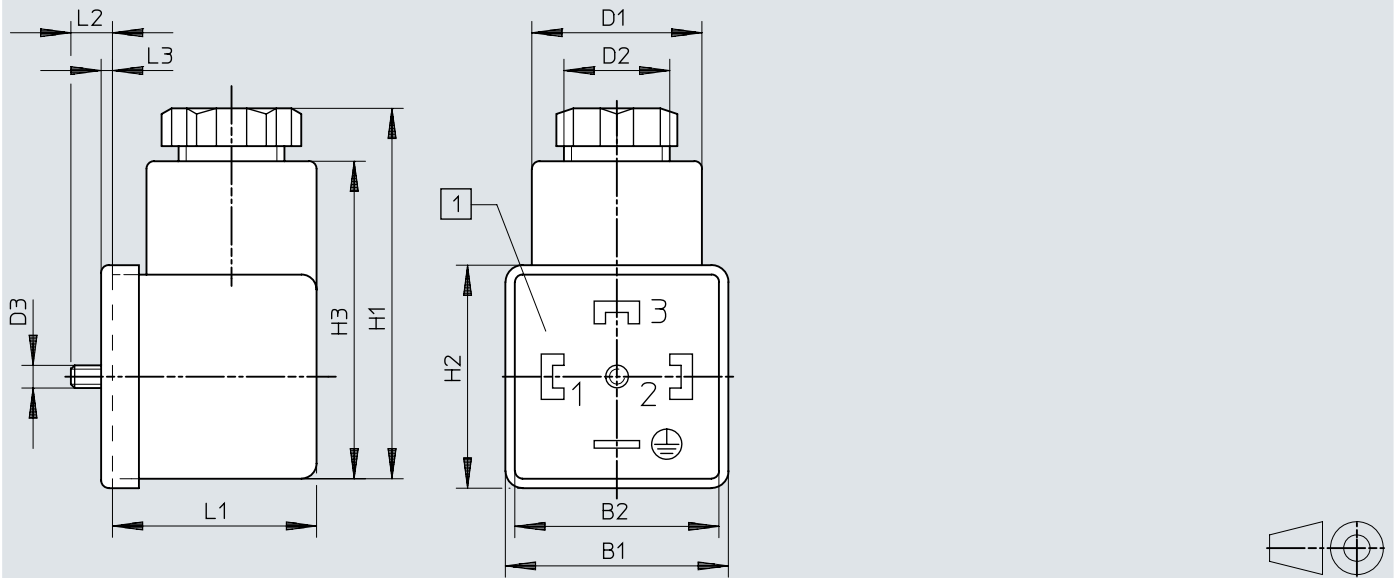
[1] Plug pattern type A to EN 175301-803

	B1	D1 ∅	D2 ∅	D3 ∅	H1	L1
MSSD-N	27,9	22,8	M20x1,5	M3	40	33,2

Dimensions

Dimensions – Plug socket MSSD-C, 4-pin

Download CAD data → www.festo.com



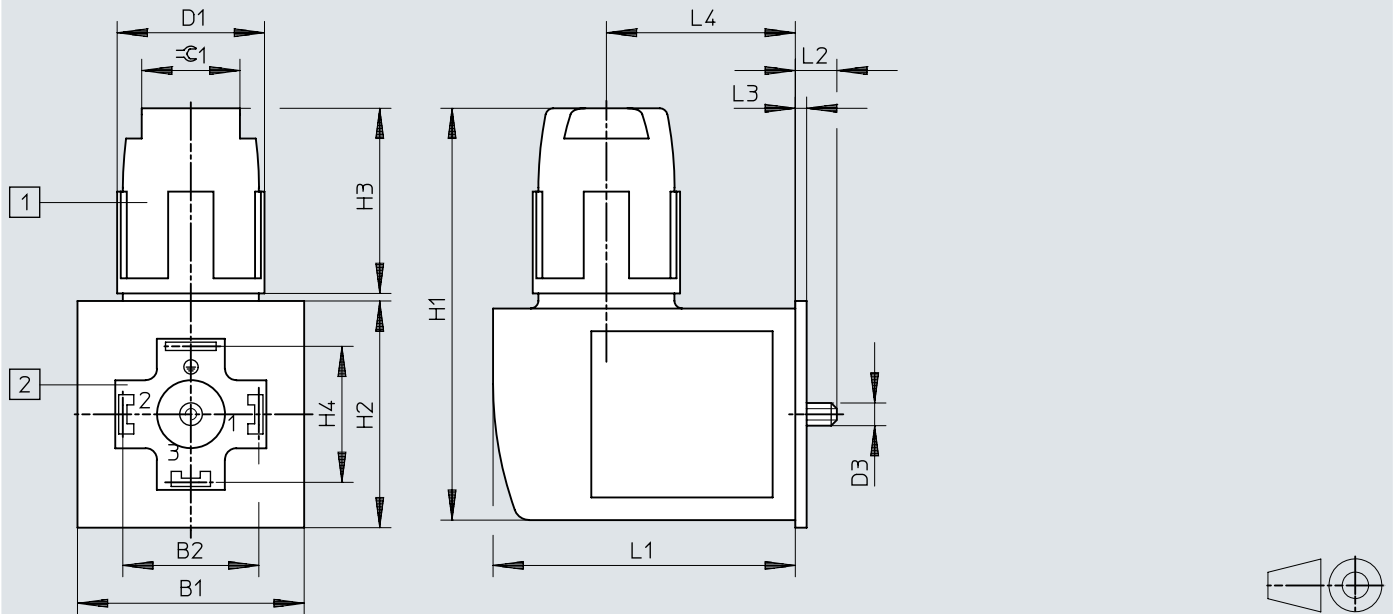
[1] Insert can be rotated 90°

	B1	B2	D1 ∅	D2 ∅	D3 ∅	H1	H2	H3	L1	L2	L3
MSSD-C-4P	29,5	27	23,8	Pg9	M3	49	29,5	42	27	5,5	1,5

Dimensions

Dimensions – Plug socket MSSD-C-S-M16, 4-pin

Download CAD data → www.festo.com



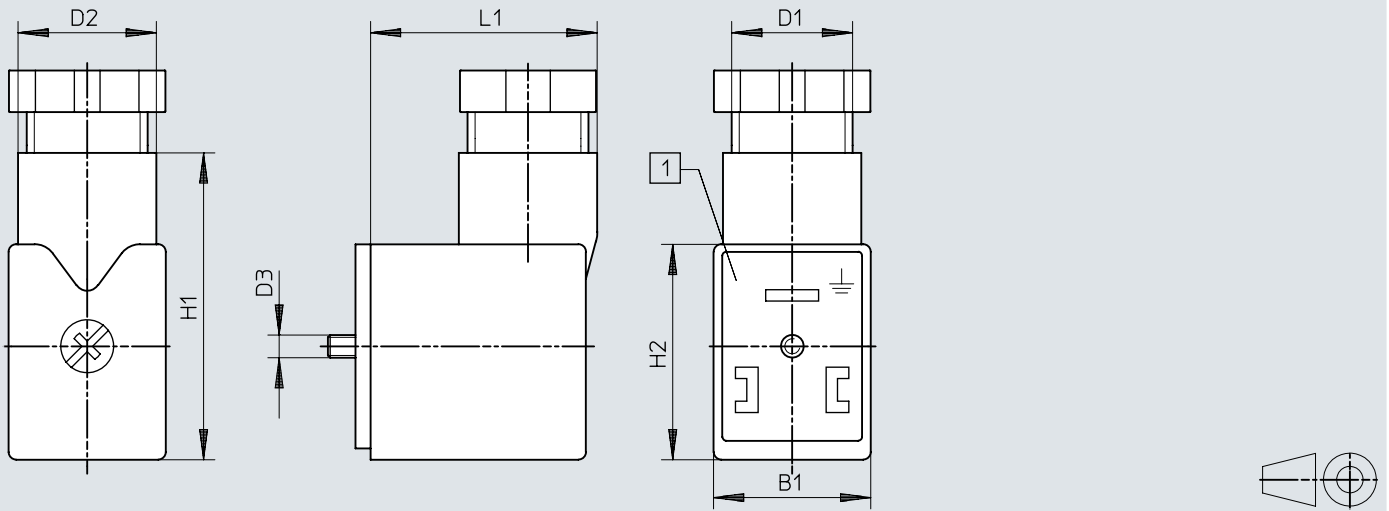
- [1] Union nut M16x1
- [2] Connection side can be rotated 90°

	B1	B2	D1 ∅	D3 ∅	H1	H2	H3	H4	L1	L2	L3	L4	13
MSSD-C-S-M16	30	18	19,5	M3	54,5	30	24,5	18	40	5,5	1,5	25	13

Dimensions

Dimensions – Plug socket MSSD-V-M16

Download CAD data → www.festo.com



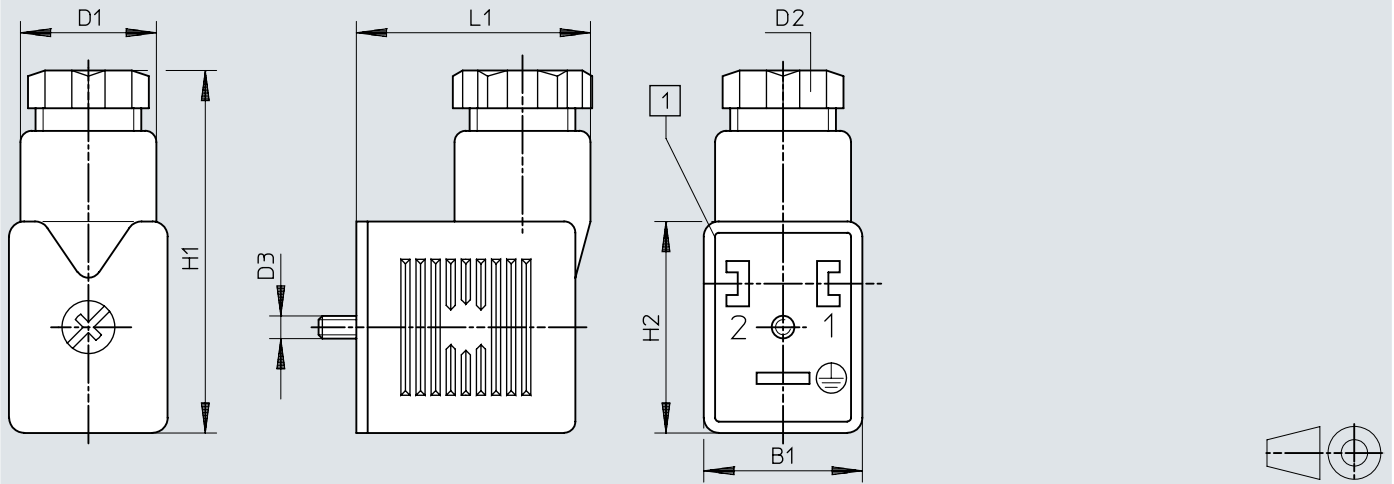
[1] Insert can be rotated 180°

	B1	D1	D2 ∅	D3	H1	H2	L1
MSSD-V-M16	20,8	M16x 1,5	18,3	M3	40,6	28,5	30

Dimensions

Dimensions – Plug socket MSSD-V

Download CAD data → www.festo.com



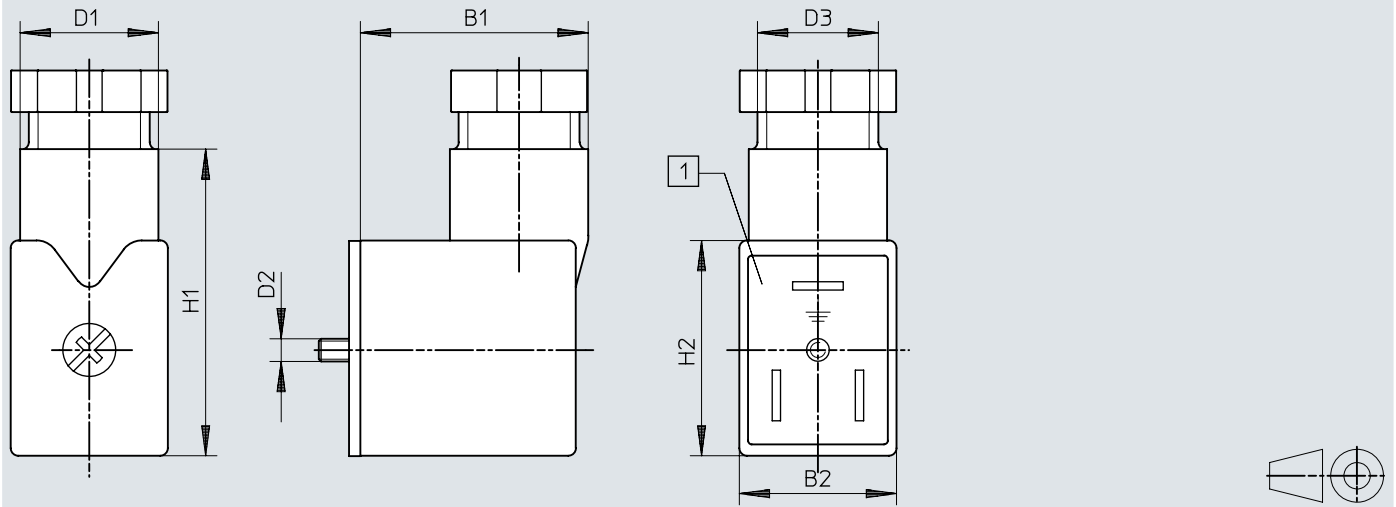
[1] Insert can be rotated 180°

	B1	D1 ∅	D2	D3	H1	H2	L1
MSSD-V	21	18	Pg9	M3	48	28	31

Dimensions

Dimensions – Plug socket MSSD-F-M16

Download CAD data → www.festo.com



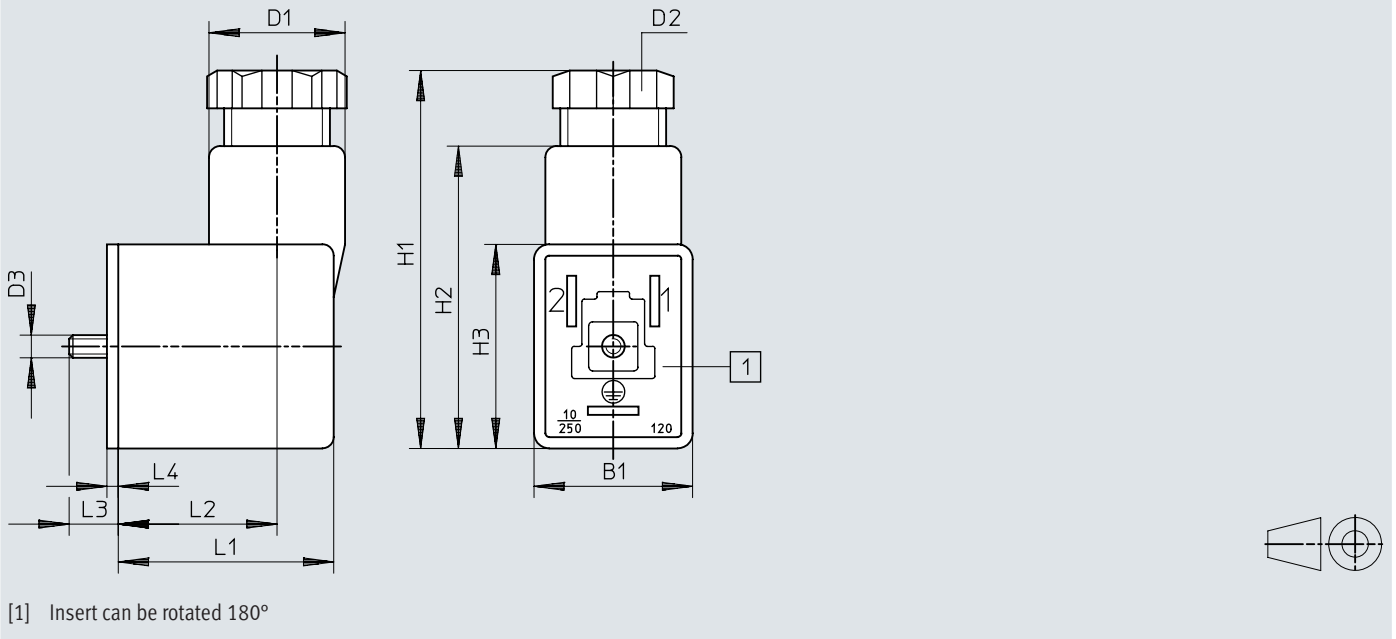
[1] Insert can be rotated 180°

	B1	B2	D1 ∅	D2	D3	H1	H2
MSSD-F-M16	30,2	20,8	18,3	M3	M16x 1,5	40,6	28,5

Dimensions

Dimensions – Plug socket MSSD-F

Download CAD data → www.festo.com

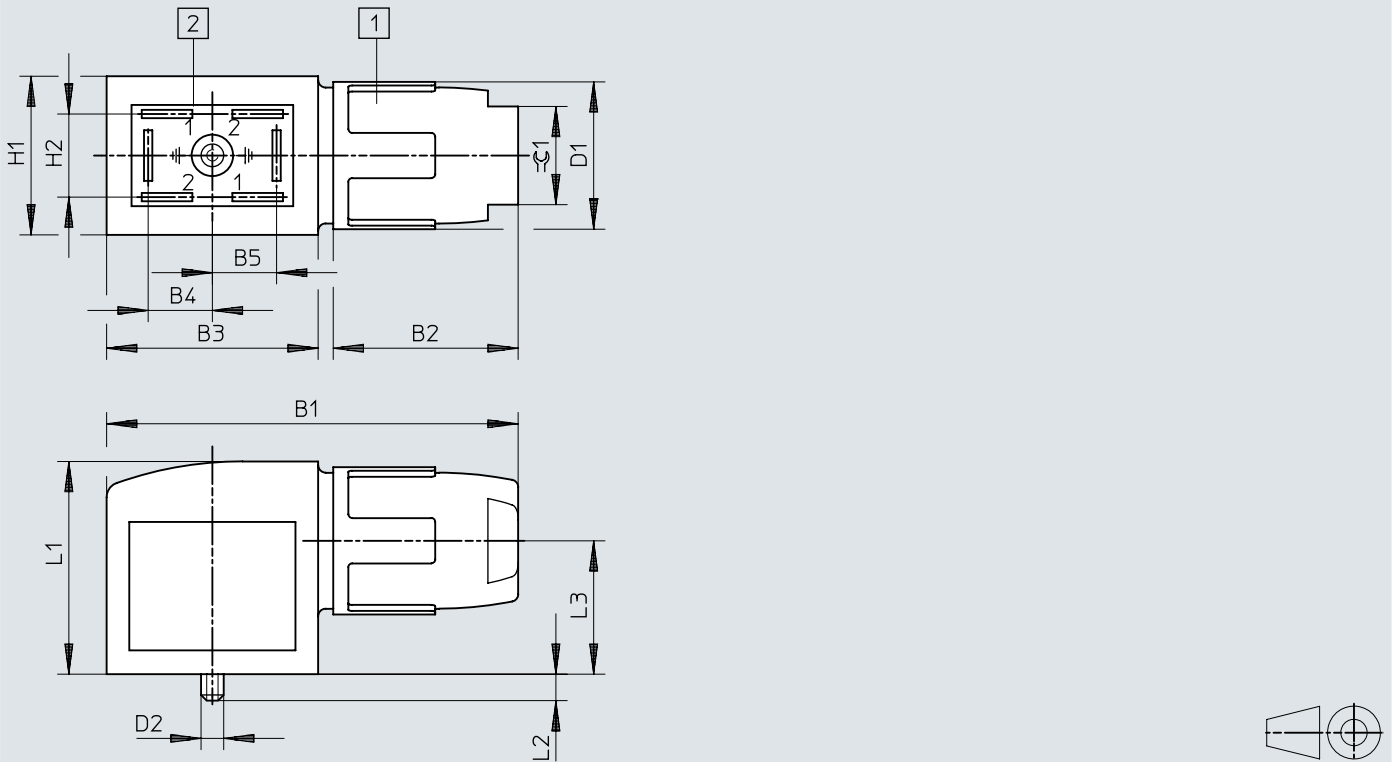


	B1	D1 ∅	D2 ∅	D3	H1	H2	L1	L2	L3	L4
MSSD-F	20,8	18,3	Pg9	M3	~50	40,6	28,5	21	5,5	1,5

Dimensions

Dimensions – Plug socket MSSD-F-S-M16

Download CAD data → www.festo.com



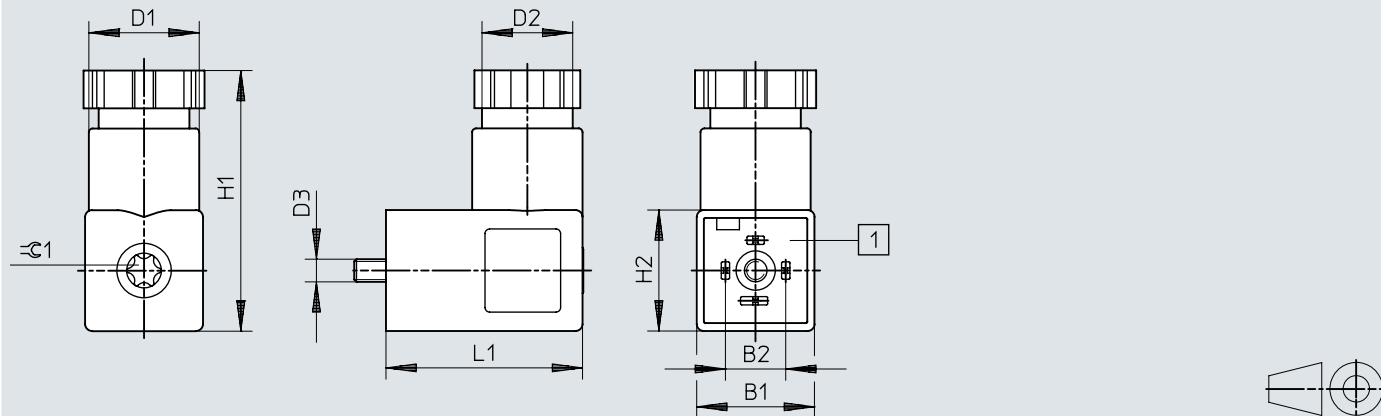
- [1] Union nut M16x1
- [2] Connection side can be rotated 90°

	B1	B2	B3	B4	B5	D1 ∅	D2	H1	H1	L1	L2	L3	≅C1
MSSD-F-S-M16	~54,5	24,5	28	8,5	8,5	19,5	M3	21	11	28	3,5	17,7	13

Dimensions

Dimensions – Plug socket MSSD-EB-M12-24VDC-SD-EX, 3-pin

Download CAD data → www.festo.com



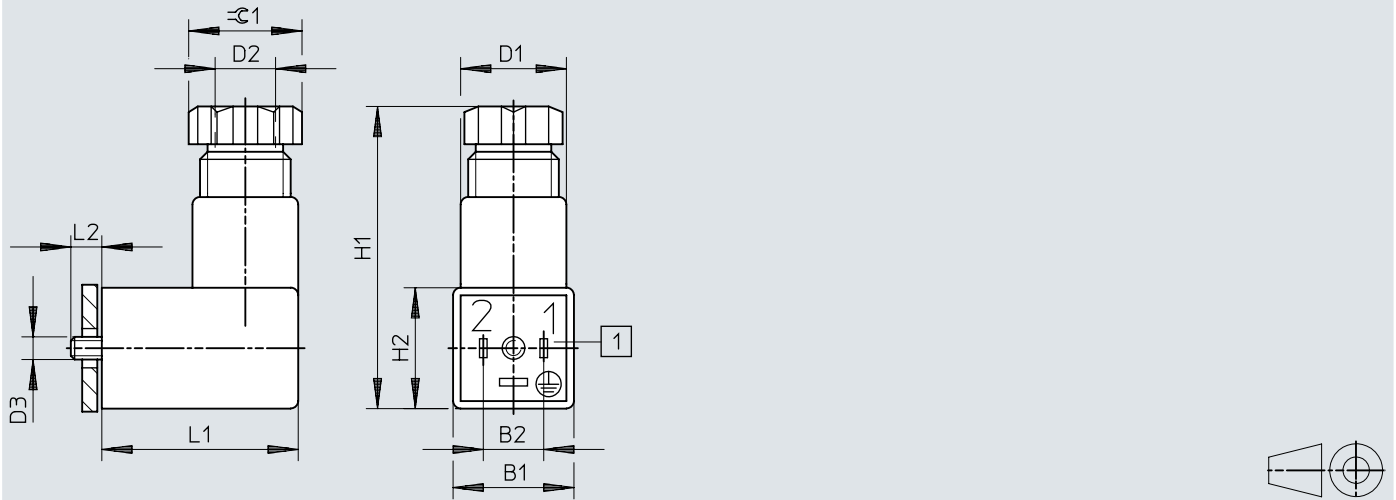
[1] Insert can be rotated 90°

	B1	B2	D1 ∅	D2 ∅	D3 ∅	H1	H2	L1	⊕ 1
MSSD-EB-M12-24VDC-SD-EX	15,6	8	14,6	M12x 1,5	2,5	34,5	16	26	T8

Dimensions

Dimensions – Plug socket MSSD-EB, 3-pin

Download CAD data → www.festo.com



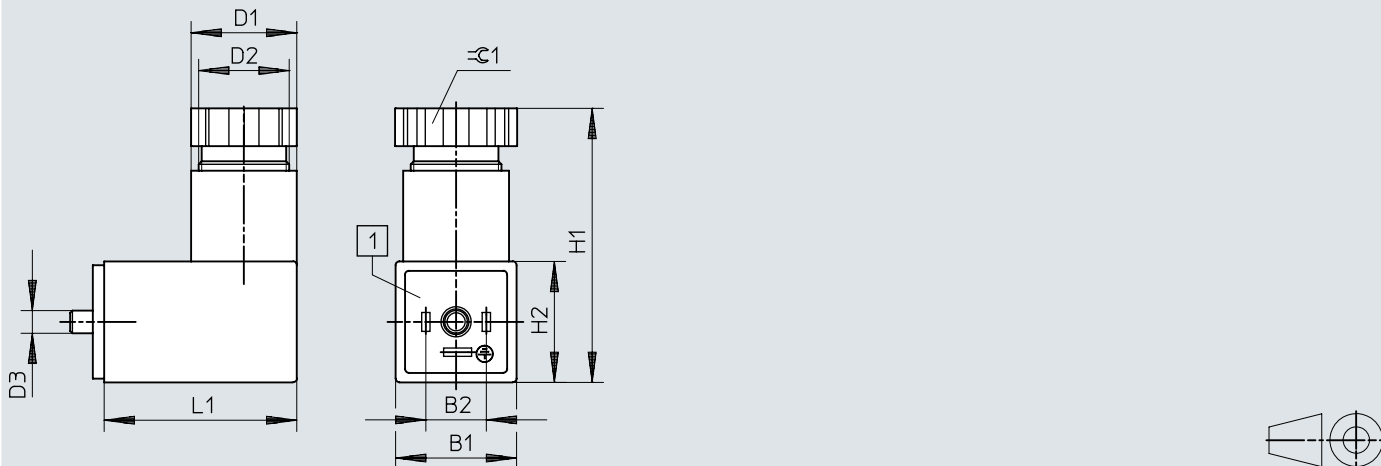
[1] Insert can be rotated 90°

	B1	B2	D1 ∅	D2 ∅	D3 ∅	H1	H2	L1	L2	≈C1
MSSD-EB	15,5	8	15	Pg7	2,5	40	15,5	26	4,1	13

Dimensions

Dimensions – Plug socket MSSD-EB-M12, 3-pin

Download CAD data → www.festo.com



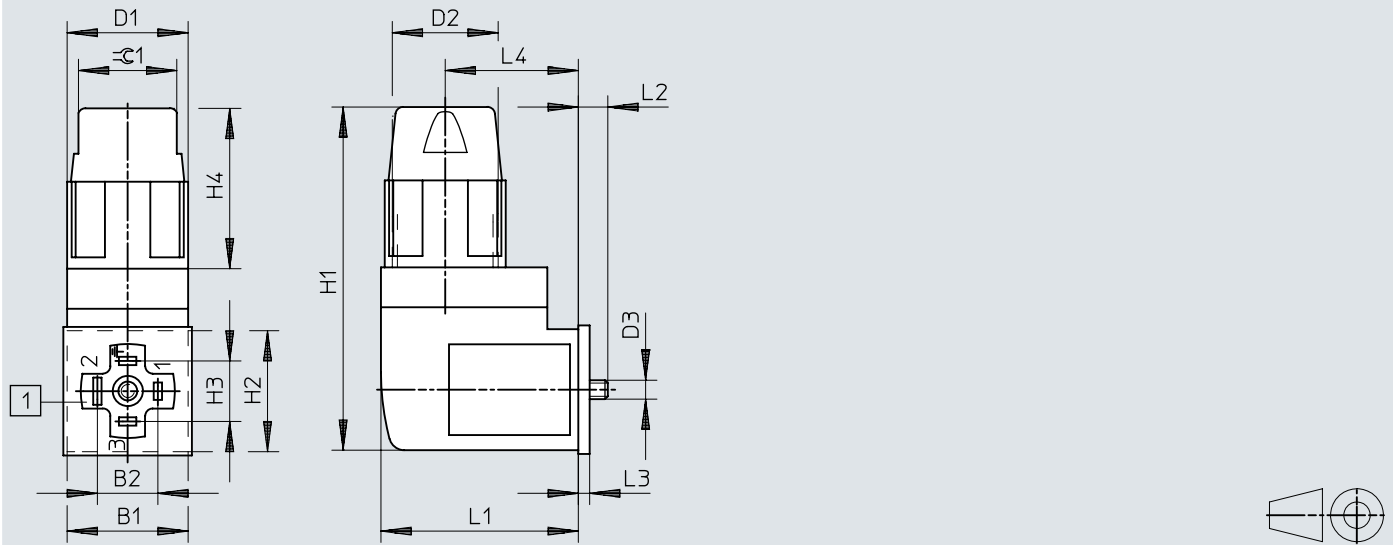
[1] Insert can be rotated 90°

	B1	B2	D1 ∅	D2 ∅	D3 ∅	H1	H2	L1	≈ 1
MSSD-EB-M12	15,5	8	15	M12x 1,5	M2,5	33	15,5	25,5	13

Dimensions

Dimensions – Plug socket MSSD-EB-S-M14, 4-pin

Download CAD data → www.festo.com



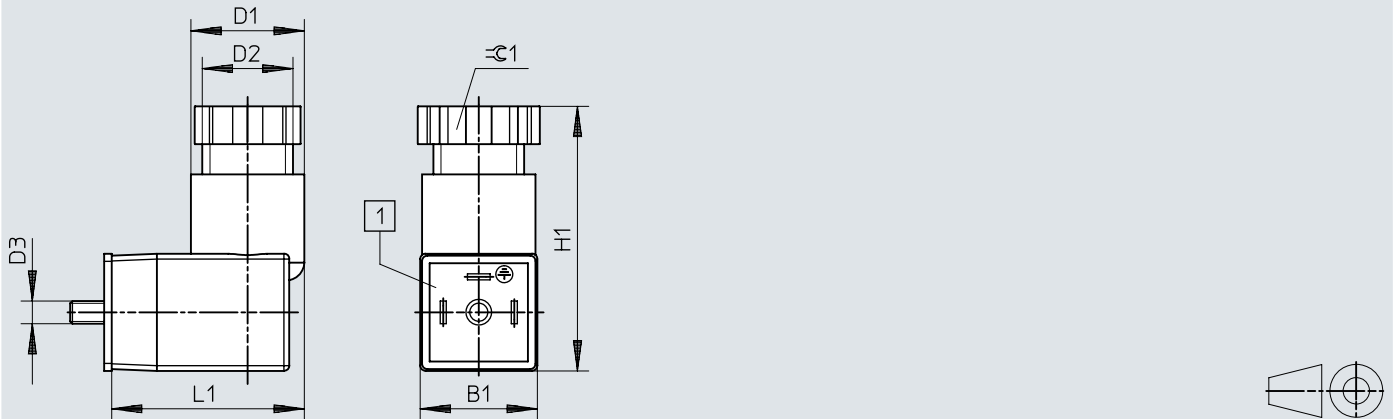
[1] Insert can be rotated 90°

	B1	B2	D1 ∅	D2	D3 ∅	H1	H2	H3	H4	L1	L2	L3	L4	≈ 1
MSSD-EB-S-M14	16	8	16	M14x1	2,5	45	16	8	21,2	26	4	1,5	17,6	13

Dimensions

Dimensions – Plug socket MSSD-E-M12

Download CAD data → www.festo.com



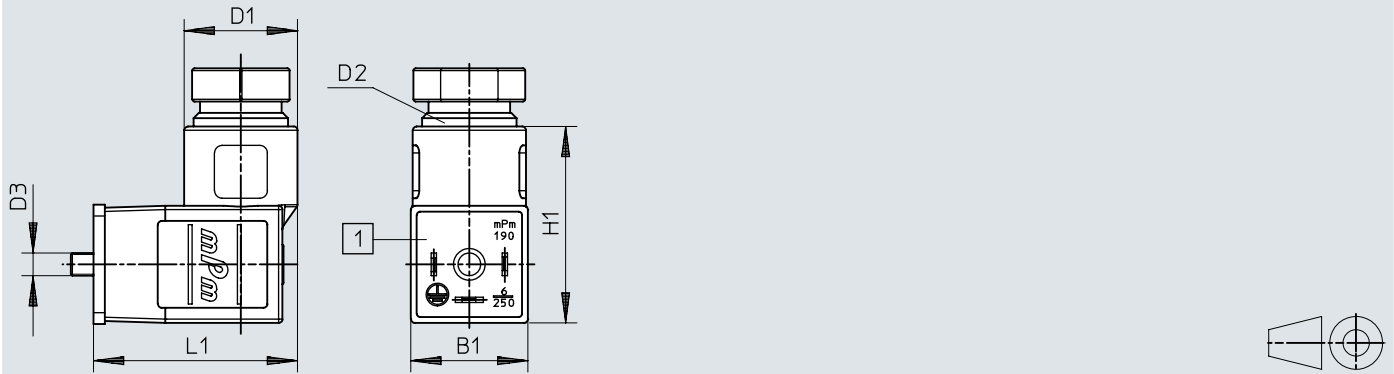
[1] Insert can be rotated 90°

	B1	D1 ∅	D2	D3	H1	L1	≈ 1
MSSD-E-M12	15,5	15	M12x 1,5	M3	33	25,5	13

Dimensions

Dimensions – Plug socket MSSD-E

Download CAD data → www.festo.com



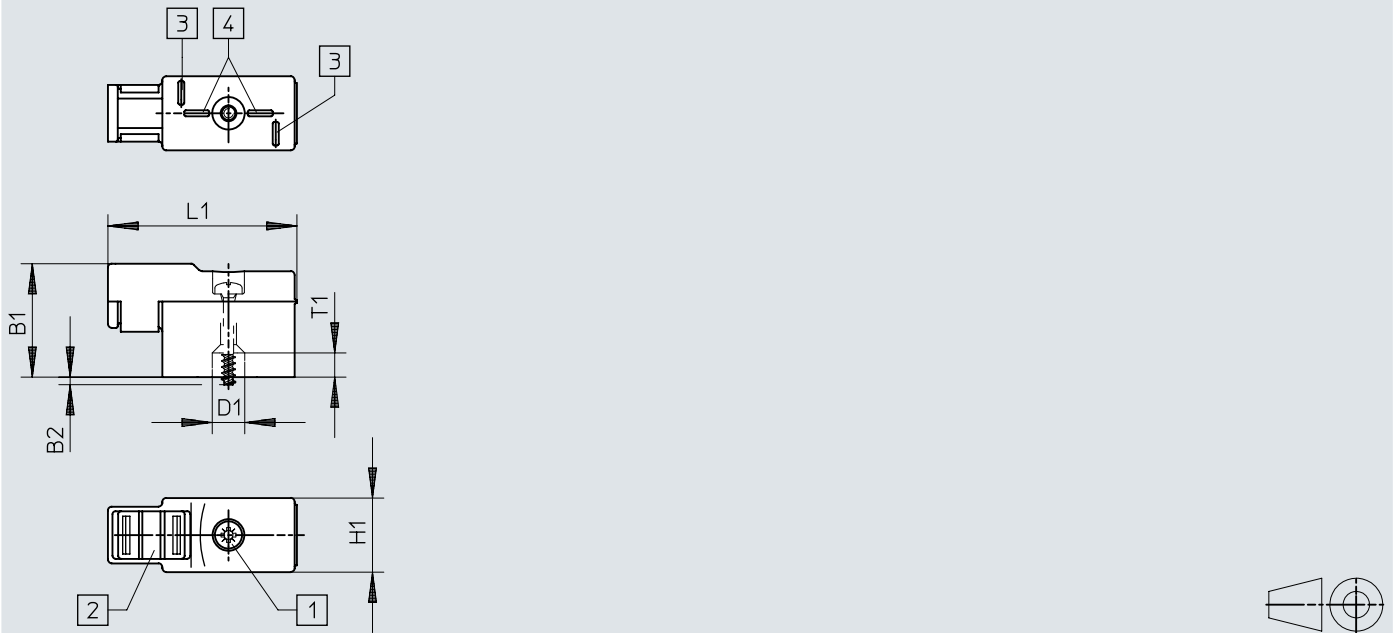
[1] Insert can be rotated 90°

	B1	D1 ∅	D2	D3	H1	L1
MSSD-E	15,5	14	Pg7	M3	24,5	25

Dimensions

Dimensions – Plug socket MSSD-ZBZC

Download CAD data → www.festo.com



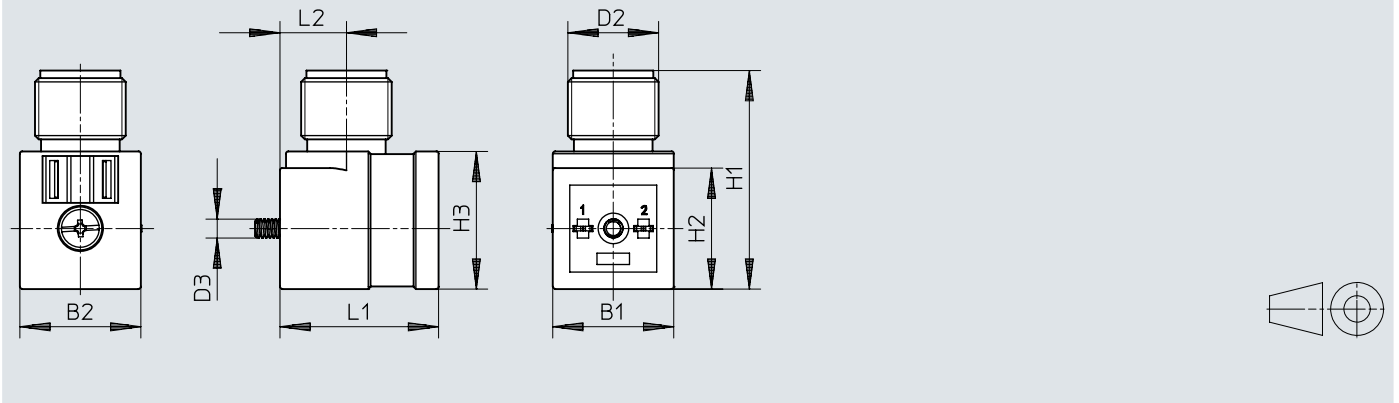
- [1] Retaining screw
- [2] Inscription label IBS-6x10
- [3] Plug pattern for ZB solenoid coil
- [4] Plug pattern for ZC solenoid coil

	B1	B2	D1 ∅	H1	L1	T1	H4	H5	L1	≡G1
MSSD-ZBZC	15	1	4,3	9,8	25	3,2	35,6	2	14	9

Dimensions


Dimensions – Plug socket MSSD-EB-M12-MONO


Download CAD data → www.festo.com





	B1	B2	D2	D3	H1	H2	H3	L1	L2
MSSD-EB-M12-MONO	16	16	M12x1	M2,5	28,9	16	18,2	21	8,8


Ordering data


Ordering data – Electrical connection 1 socket type A according to EN 175301-803, 3-pin						
	Cable fitting	Cable diameter	Permissible cable diameter	Product weight	Part no.	Type
	M16		6 ... 8 mm	38 g	539709	MSSD-C-M16
	M20x1.5	8 ... 10 mm		30 g	★ 550067	MSSD-N
	Pg 9	6 ... 8 mm		22 g	34583	MSSD-C

Ordering data – Electrical connection 1 socket type A according to EN 175301-803, 4-pin						
	Cable fitting	Cable diameter	Nominal cross section conductor	Product weight	Part no.	Type
		5.5 ... 8 mm	0.5 ... 1 mm ²	38 g	192748	MSSD-C-S-M16
	Pg 9	6 ... 8 mm	1.5 mm ²	22 g	171157	MSSD-C-4P


Ordering data – Electrical connection 1, socket type B to EN 175301-803						
	Cable fitting	Nominal cross section conductor	Connection cross section	Product weight	Part no.	Type
	M16		0.75 mm ²	35 g	539713	MSSD-V-M16
	Pg 9	1.5 mm ²		18 g	33295	MSSD-V


Ordering data – Electrical connection 1 socket type B industry standard 11 mm							
	Nominal cross section conductor	Cable fitting	Electrical connection 2, connector system	Degree of protection	Product weight	Part no.	Type
	0.75 mm ²	M16x1.5	Screw terminal	IP65	35 g	539710	MSSD-F-M16
	1.5 mm ²	Pg 9			17 g	★ 34431	MSSD-F
	0.5 ... 1 mm ²			IP67, To IEC 60529	35 g	192746	MSSD-F-S-M16


Ordering data – Electrical connection 1 socket type C in accordance with EN 175301-803, 3-pin						
	Connection cross section	Permissible cable diameter	Product weight	Part no.	Type	
	0.25 ... 0.5 mm ²	4 ... 6 mm	11 g	570367	MSSD-EB-M12-24VDC-SD-EX	
	0.75 mm ²	7.5 mm		★ 151687	MSSD-EB	
	1.5 mm ²	4 ... 6 mm		539712	MSSD-EB-M12	


Ordering data – Electrical connection 1 socket type C in accordance with EN 175301-803, 4-pin					
	Cable diameter	Nominal cross section conductor	Product weight	Part no.	Type
	4 ... 6 mm	0.25 ... 0.5 mm ²	17 g	192745	MSSD-EB-S-M14

Ordering data

Ordering data – Electrical connection 1 socket type C Industrial standard 9.4 mm						
	Cable fitting	Cable diameter	Permissible cable diameter	Product weight	Part no.	Type
	M12		4 ... 6 mm	11 g	539711	MSSD-E-M12
	Pg7	6 ... 8 mm		8 g	14098	MSSD-E

Ordering data – Electrical connection 1 socket, plug pattern ZB/ZC					
	Nominal operating voltage DC	Nominal cross section conductor	Product weight	Part no.	Type
	24 V	0.22 ... 0.34 mm ²	11 g	185521	MSSD-ZBZC

Ordering information – Adapter					
	Electrical connection 1	Electrical connection 2	Product weight	Part no.	Type
	Socket, to EN 175301-803, type C	Straight plug connector, M12x1, 2-pin, A-coded	13.18 g	188024	MSSD-EB-M12-MONO

Ordering data – MSSD-C-TY-24DC					
	Degree of protection	Ambient temperature	Part no.	Type	
	IP65, To IEC 60529	-40 ... 90 °C	177617	MSSD-C-TY-24DC	