

Universal accessories NEAU, for electrical connection technology

FESTO



Product range overview

Function			→ Page/Internet
Cover	For sealing unused connections/openings		
	For CPX terminal	Sub-D	3
		RJ45	3
	For AS-Interface		3
	For electrical connections	M8	3
M12		3	
Mounting	For distributors NEDY		
	For mounting distributors of type NEDY, pneumatic tubing and electrical cables on Festo cylinders with integrated T-slot for sensors		5
Cable seal	Cable diameter 6.5 ... 9.5 mm		
	For NECU	Reduction of possible cable diameter from 9 ...13 mm to 6.5 ...9.5 mm	7
Inscription label holders	For identifying connecting cables		
	For cable diameter	1.7 ... 3 mm	8
		2.5 ... 3.5 mm	8
		3.3 ... 4.8 mm	8
		4.2 ... 5.6 mm	8
Safety clip	For ATEX area		
	For push-in connectors with knurled nut	For protecting electrical connecting cables/push-in connectors against easy disconnection.	M8
			M12
		9	

Data sheet – Coverings

Inspection cover AK-SUB

Cover AK-RJ45

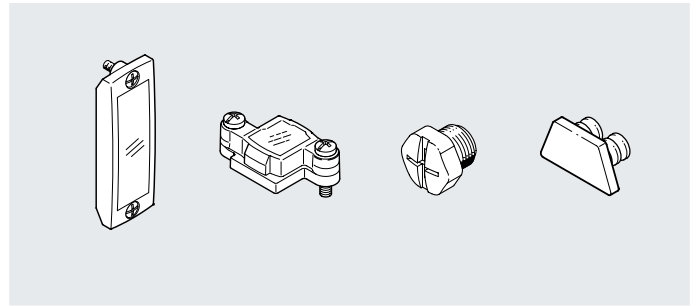
Cover cap ISK

Cable cap ASI-KK-FK

Covers are inserted/screwed into or placed/screwed onto unused connections/openings in order to seal them.

They ensure:

- The function of the respective module
- Realisation of a protection class
- Hazard prevention (e.g. by covering live parts)



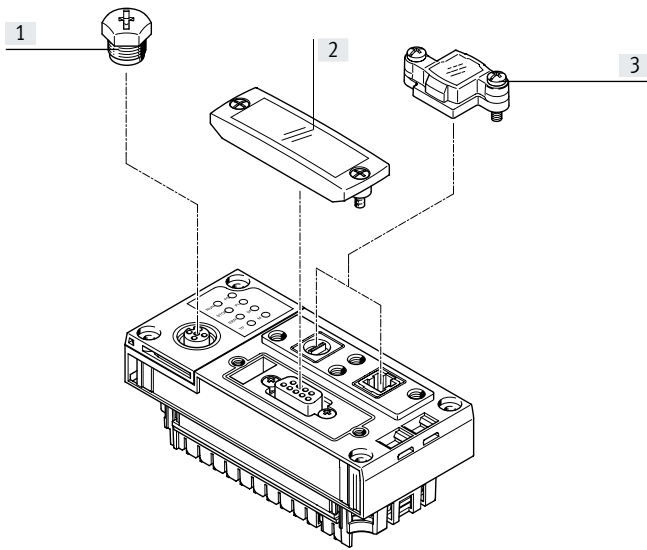
General technical data					
Type	AK-SUB-9/15-B	AK-RJ45	ISK-M8	ISK-M12	ASI-KK-FK
Mounting position	–	–	–	–	Any
Width [mm]	–	33	–	–	–
Height [mm]	–	8	–	–	–
Length [mm]	–	20	–	–	–
Degree of protection to EN 60529	IP65, IP67 (mounted)	IP65, IP67 (mounted)	IP65	–	–
Product weight [g]	20	10	5	5	–

Materials					
Type	AK-SUB-9/15-B	AK-RJ45	ISK-M8	ISK-M12	ASI-KK-FK
Housing	–	–	Reinforced PA	Reinforced PA	PA
Cover	PA	PA	–	–	–
Screws	Galvanised steel	Steel	–	–	–
Seal	NBR	NBR	–	–	–
Note on materials	–	–	RoHS-compliant	–	RoHS-compliant

Operating and environmental conditions					
Type	AK-SUB-9/15-B	AK-RJ45	ISK-M8	ISK-M12	ASI-KK-FK
Ambient temperature [°C]	–5 ... +50	–5 ... +50	–10 ... +50	–	–

Data sheet

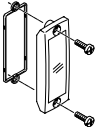



Examples for attaching covers



Covers are inserted/screwed into or placed/screwed onto unused connections/openings.

- [1] ISK-M12
- [2] AK-SUB-9/15-B
- [3] AK-RJ45

Ordering data

	Description	Mounting	Part no.	Type
	Transparent cover for sealing switches and unused connections (on components of the CPX terminal)	2 screws, M3x10	533334	AK-SUB-9/15-B
	Cover for sealing switches and unused RJ45 connections (on components of the CPX terminal)	2 screws, M3x14	534496	AK-RJ45
	Cover cap (pack of 10) for (non-pressure-tight) sealing of openings with M8 or M12 female thread (particularly unused electrical connections)	M8 thread	177672	ISK-M8
		M12 thread	165592	ISK-M12
	Plug for sealing the open end of an AS-Interface cable	Pushed in by hand	18787	ASI-KK-FK

Data sheet – Mounting components

Mounting NEAU-A

For mounting distributors NEDY-..., pneumatic tubing and electrical cables on Festo cylinders with integrated T-slot for sensors.

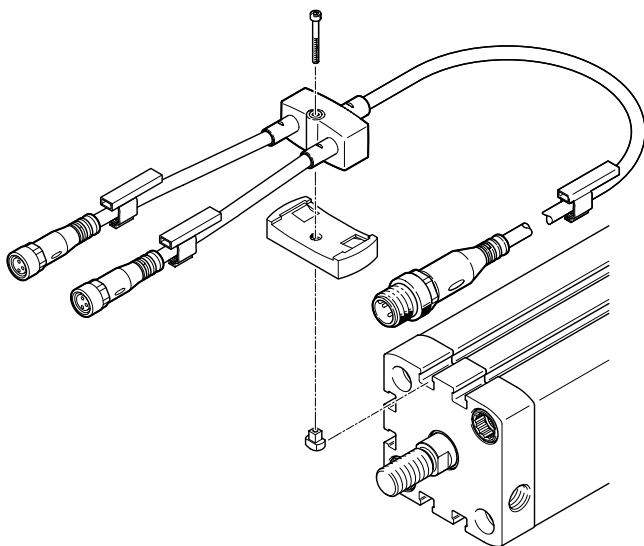


General technical data	
Design	For T-slot
Type of mounting	Clamped in T-slot
	Lengthwise and crosswise to the T slot
	Inserted in the slot from above
Materials	
Housing	Reinforced PA
Screws	High-alloy stainless steel
Slot nut material	Nickel-plated brass
Note on materials	Free of copper and PTFE
	RoHS-compliant
Operating and environmental conditions	
Ambient temperature	[°C] -25 ... +85
Storage temperature	[°C] -25 ... +85
Corrosion resistance class CRC ¹⁾	2

1) Corrosion resistance class CRC 2 to Festo standard FN 940070

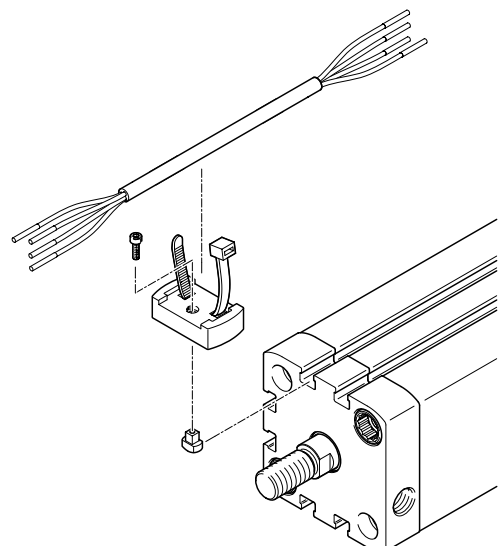
Moderate corrosion stress. Indoor applications in which condensation can occur. External visible parts with primarily decorative surface requirements which are in direct contact with a normal industrial environment.

Mounting



The distributors NEDY have a through-hole suitable for an M2 screw on the distributor housing. The mounting kit is available in two sizes for mounting in T-slots.

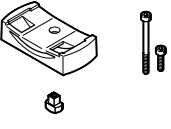
The distributors NEDY can be easily and safely mounted using the mounting kit or for pneumatic tubing and electrical connecting cables using a cable tie.



The mounting kit guarantees secure mounting in T-slots from Festo. The geometry of the retaining bracket and of the slot nut are precisely adapted to these T-slots.

The distributor can be mounted parallel or at right angles to the T-slot and the slot nut can be inserted into the T-slot from above or from the side.

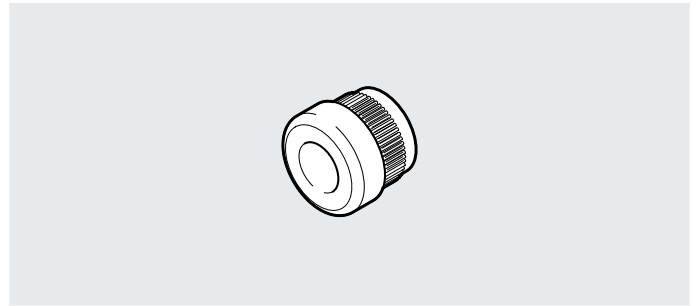
Data sheet – Mounting components

Ordering data	Description	Size	Part no.	Type
	1 mounting comprising: <ul style="list-style-type: none"> • Retaining bracket • Screw for securing pneumatic tubing and cables • Screw for distributor NEDY • Slot nut • Assembly instructions. 	1 (For distributors NEDY size M8)	8032868	NEAU-A-N8-1
		2 (For distributors NEDY size M12)	8032869	NEAU-A-N8-2

Data sheet – Cable seals

Cable seal NEAU-KD

For reducing the permissible cable diameter for power supply socket NECU.



General technical data

Connection 1, design	Pg 13.5
Connection 2, design	Cable diameter 6.5 ... 9.5 mm
Product weight [g]	4


Materials

Seals	TPE-V
Colour	Black
Slot nut material	Nickel-plated brass
Note on materials	RoHS-compliant

Operating and environmental conditions

Ambient temperature [°C]	-40 ... +85
Storage temperature [°C]	-40 ... +85
Fire tested	UL94 V-0

Ordering data

	Description	Pack size	Part no.	Type
	For power supply socket NECU-M-PPG5PP-C1-PN	Pack of 5	8079860	NEAU-KD-P4-A1-P5

Data sheet – Inscription label holders

Inscription label holders NEAU-LH For identifying connecting cables

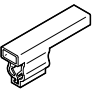


General technical data	
Type of mounting	Clip
Pack size	100
Product weight [g]	0.3

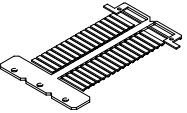
Materials	
Colour	Transparent
PWS conformity	VDMA24364-B2-L
Note on materials	Halogen-free
	RoHS-compliant

Operating and environmental conditions	
Ambient temperature [°C]	-40 ... +100
Corrosion resistance class CRC ¹⁾	4

1) Corrosion resistance class CRC 4 to Festo standard FN 940070
 Particularly high corrosion stress. Outdoor exposure under extreme corrosive conditions. Parts exposed to aggressive media, e.g. in the chemical or food industries. Such applications may need to be safeguarded by means of special testing (→ also FN 940082), using appropriate media.

Ordering data							
	Length	Width	Height	For cable diameter	Part no.	Type	PS ¹⁾
	23 mm	5.4 mm	10.1 mm	1.7 ... 3 mm	8078305	NEAU-LH-1	100
			10.3 mm	2.5 ... 3.5 mm	8078306	NEAU-LH-2	100
			11.6 mm	3.3 ... 4.8 mm	8078307	NEAU-LH-3	100
			12.1 mm	4.2 ... 5.6 mm	8143238	NEAU-LH-4	100

1) Pack size

Ordering data – Accessories				
			Part no.	Type
	Inscription labels for inscription label holder	Pack of 1020	541598	ASLR-L-423

Data sheet – Safety clip

Safety clip NEAU-M

For protecting electrical connecting cables/push-in connectors against easy disconnection.



Materials

Safety clip	PA
Note on materials	RoHS-compliant

Operating and environmental conditions

Ambient temperature	[°C]	-20 ... +60
Corrosion resistance class CRC ¹⁾		3

1) Corrosion resistance class CRC 3 to Festo standard FN 940070

High corrosion stress. Outdoor exposure under moderate corrosive conditions. Externally visible parts with primarily functional surface requirements which are in direct contact with a normal industrial environment.

Ordering data

	Description	Size	Part no.	Type
	Protects against easy disconnection (without a tool) of the screw-type lock on an electrical plug connector; to be fastened securely to the cable	M8	548067	NEAU-M8-GD
		M12	548068	NEAU-M12-GD