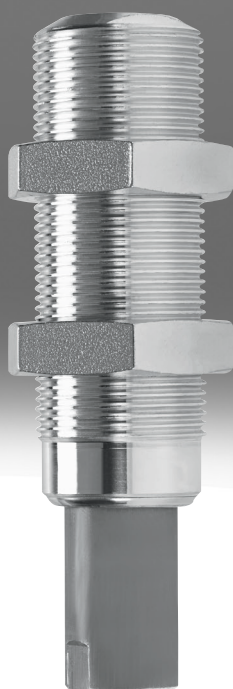


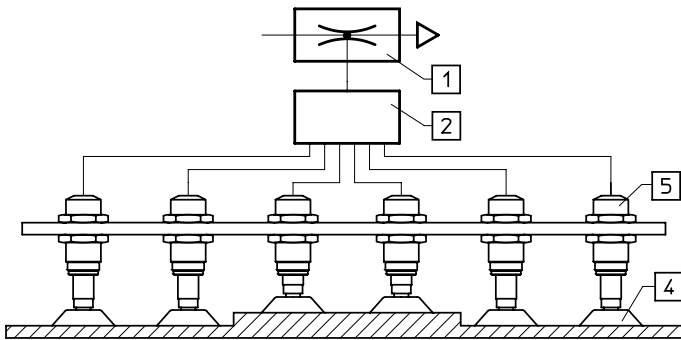
## Length compensator VAL

**FESTO**



## Characteristics

### At a glance



[1] Vacuum generator

[2] Distributor

[4] Suction cup with connection

[5] Length compensator

The length compensator VAL is an accessory for the suction cups with connection VAS/VASB. It is used for treating the workpieces gently by compensating for a possible excess stroke of the handling device or by compensating for tolerance differences in the workpiece thickness.

## Type code

001	Series
VAL	Length compensator
002	Suction cup connection
M5	M5
G14	Male thread G1/4
G18	G1/8

003	Length compensator [mm]
5	5
10	10
20	20

## Datasheet

**General technical data**

Vacuum connection	M5	G1/8	G1/4
Suction cup mounting	M5	G1/8	G1/4
Design	Vacuum port on top		
Mounting position	optional		
Type of mounting	With male thread M16x1	With male thread M22x1.5	With male thread M26x1.5
Height compensator for suction-cup holder	5 mm	10 mm	20 mm

**Operating and environmental conditions**

Operating pressure	-0.95 ... 8 bar
Operating medium	Compressed air to ISO 8573-1:2010 [7:-:-]
Ambient temperature	-10 ... 60°C
Corrosion resistance class CRC <sup>1)</sup>	2 - Moderate corrosion stress

1) More information [www.festo.com/x/topic/crc](http://www.festo.com/x/topic/crc)

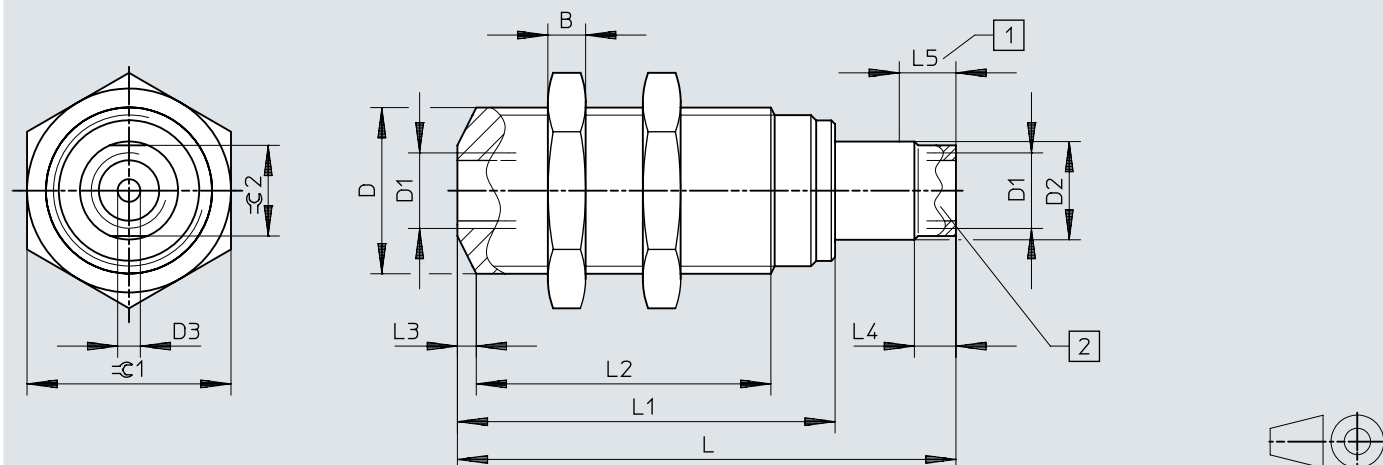
**Materials**

Material housing	Aluminium
Material retaining bracket	Aluminium, POM, High-alloy stainless steel
Material seals	NBR
Note on materials	RoHS-compliant
LABS (PWIS) conformity	VDMA24364-B1/B2-L
Suitability for the production of Li-ion batteries	Metals with more than 1% by mass of copper, zinc or nickel by mass are excluded from use. Exceptions are nickel in steel, chemically nickel-plated surfaces, printed circuit boards, cables, electrical plug connectors and coils

## Dimensions

### Dimensions – Length compensator VAL


Download CAD data [www.festo.com](http://www.festo.com)



- [1] Spring deflection for length compensation
- [2] Connection for suction gripper

	B	D	D1	D2 ∅	D3 ∅	L	L1	L2	L3	L4	L5	≙ 1	≙ 2
VAL-M5-5	5	M16x1	M5	8	2	46	35	25,5	2	4,5	5	19	7
VAL-1/8-10	6	M22x1,5	G1/8	13	3	66	50	39	2,5	5,5	10	27	12
VAL-1/4-20	8	M26x1,5	G1/4	17	4	100	73	60	2,5	6,5	20	32	16

Ordering data

Ordering data					
	Suction cup mounting	Length compensator [mm]	Product weight	Part no.	Type
	G1/4	20 mm	118 g	★ 151211	VAL-1/4-20
	G1/8	10 mm	62 g	★ 151210	VAL-1/8-10
	M5	5 mm	25 g	★ 151209	VAL-M5-5